

www.yuvrajimpex.com



YUVRAJ
i m p e x



*Strength in every Link
Reliability in every Fastener*

**PRODUCT
CATALOGUE**



COMPANY PROFILE

Yuvraj Impex is an ISO 9001:2015 certified company, has been a leading supplier of high-quality products in India since 1985. It is situated in Ludhiana, the industrial hub of India, and have a team of experienced professionals who are well-versed with the industry's dynamics.

We take pride in offering a wide range of products such as Tractor Linkage parts, Trailer & Towing Parts, Combine Parts, Agricultural parts, Quick Release Couplings & Implement Parts, Hex Nuts and Bolts, Forging parts and Sheet Metal that meet our customers' diverse needs. At Yuvraj Impex, we strive to provide consistent quality and value-added innovation in our products.

To ensure the quality and durability of our products, we import high-grade materials from authentic vendors and manufacture our products using state-of-the-art technology and hi-tech machines in our modern infrastructure. Our commitment to quality has made us a leading choice of a vast clientele for over 35 years.

Mission

Our mission is to deliver high-quality and sustainable agricultural products and services that enhance the productivity and profitability of our customers while preserving the natural resources and the environment. We strive to build strong and long-lasting relationships with our customers and suppliers.



MISSION

VISION

STRATEGY

CORE VALUE

Vision

Our vision is to be a leading player in the agro-industry sector, recognized for our commitment to innovation, sustainability, and quality. We aim to provide our customers with superior products and services that meet their evolving needs, while creating value for our customers and contributing to the development of our local communities. We strive to be a responsible corporate citizen, promoting ethical practices, environmental stewardship, and social responsibility in all our operations.

Core Values

Sustainability: We are committed to sustainable practices that preserve natural resources, minimize environmental impact, and promote long-term viability.

Customer Focus: We put our customers at the center of everything we do, striving to exceed their expectations with innovative and high-quality products and services.

Integrity: We operate with honesty, transparency, and ethical principles, building trust with our customers through our words and actions.

Teamwork: We work collaboratively and inclusively, valuing the diversity of our employees and respecting their contributions and perspectives.

Social Responsibility: We recognize our role in society and strive to make a positive impact on our communities through philanthropy, volunteerism, and responsible corporate citizenship.

INDEX

PRODUCTS	PAGE NO.
TOP LINK ASSEMBLY [STANDARD]	6
TOP LINK ASSEMBLY [HIGH STANDARD SPECIAL]	8
TOP LINK ASSEMBLY [WITH SPRING LOCK]	10
TOP LINK WITH KNUCKLE END	11
TOP LINK FORD	12
TOP LINK JD	12
TOP LINK MF	13
TOP LINK ASSEMBLY [DEUTZ]	14
TOP LINK BALLS	15
END ASSEMBLIES	18
WELD ON BALL END	22
TOP LINK PINS	24
LOWER LINK ARMS	27
STABLIZER ASSEMBLY	28
LOWER LINK WELD ON BALL END	28
LOWER LINK DOWBLE HOLE BALL	31
LOWER LINK BALL WITH & WITHOUT CUT	32
PINS	34
LOWER LINK ARMS	38
RIGID STRUCTURE BARS	39
ADJUSTABLE SPRING SPACER	39
STABLIZER PINS	40
ADJUSTABLE LEVELING ARM	41
RATCHET ADJUSTABLE ARM JACK	41
SQUARE HEAD BOLT	42
STABLIZER CHAINS FOR TRACTOR	42
ADJUSTERS FOR STABLIZERS	43

INDEX

PRODUCTS	PAGE NO.
EYE BOLT - ROUND AND EYE TYPE	43
CAST IRON TUBE FOR CHAINS	44
FORK BOLT	44
SHACKLE WITH BOLT AND PIN	45
HOOK WITH BOLT AND PIN	49
COMPLETE 3 POINT LINKAGE KIT [KUBOTA]	50
COMPLETE 3 POINT LINKAGE KIT [ISEKI]	51
BOLT WITH EYE NUT FOR CHAIN	52
HOOKS AND RING WITH TUBE	53
RING TENSIONER	53
DRAW BARS	54
HITCH FOR DRAW BARS	59
IMPLEMENT PINS	60
HITCH PINS	61
TOWING BARS	66
GUIDE CONE BALLS	68
LYNCH PIN	69
BUSH	78
CULTIVATORS	79
LIFTING RING - MALE & FEMALE	83
SEPARATORS	85
DROP CLOUSURE	86
CLAMPS	86
U - BOLTS , PTO SHAFTS & PARTS	87
QUICK COUPLING PIN , TOWING PARTS	93
COMBINE FINGERS	95
PARKING JECKS , JOCKY WHEELS	96

TOP LINK ASSEMBLY [STANDARD]

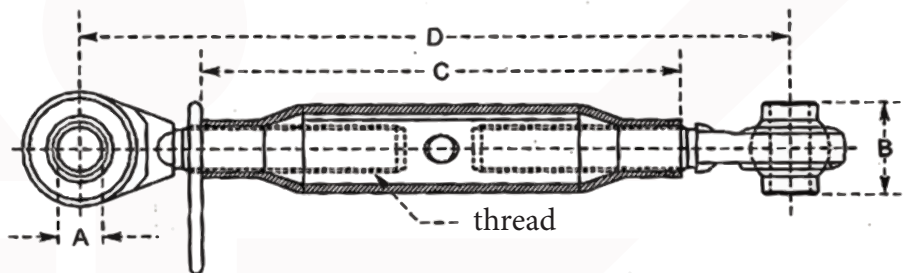
Technical Specification

- Pipe : material UNI S355, thickness 4.5 - 5 mm, tensile strength $s = 490 - 630 \text{ N/mm}^2$, drawn and seamless, painted.

- End assembly : material UNI C40, hot forged and rolled.

- Ball: material UNI C20, case hardened, hardness 52 - 58 HRC, hardened thickness : 0.4 - 0.7 mm.

- Coating : Zinc plated parts Fe / Zn



TOP LINK STANDARD OR REGULAR

REFERENCE	CATEGORY	DIMENSION A mm	DIMENSION B mm	thread mm	TUBE DIMENSION C mm	DIMENSION D MINIMUM mm	DIMENSION D MAXIMUM mm	WEIGHT Kg
YITLR0201	0	16	25.4	20 X 2.5	190	265	385	2'000
YITLR0202	0	16	25.4	20 X 2.5	250	325	470	2'145
YITLR0203	0	16	25.4	20 X 2.5	400	475	695	2'450
YITLR0204	1	19	44	22 X 2.5	160	256	350	2'362
YITLR0205	1	19	44	22 X 2.5	180	290	390	2'480
YITLR0206	1	19	44	22 X 2.5	220	330	470	2'510
YITLR0207	1	19	44	22 X 2.5	230	330	490	2'597
YITLR0208	1	19	44	22 X 2.5	280	380	540	2'765
YITLR0209	1	19	44	22 X 2.5	300	400	560	2'832
YITLR0210	1	19	44	24 X 2.5	245	355	515	2'650
YITLR0211	1	19	44	24 X 2.5	280	390	570	2'750
YITLR0212	1	19	44	24 X 2.5	300	410	590	2'845
YITLR0213	1	19	44	24 X 2.5	320	430	610	2'950
YITLR0214	1	19	44	24 X 2.5	370	480	660	3'100
YITLR0215	1	19	44	24 X 2.5	400	510	690	3'200
YITLR0216	1	19	44	27 X 3	220	330	450	3'370
YITLR0217	1	19	44	27 X 3	275	385	565	3'500
YITLR0218	1	19	44	27 X 3	320	430	640	3'745
YITLR0219	1	19	44	27 X 3	350	460	680	3'860
YITLR0220	1	19	44	27 X 3	370	480	690	3'933

REFERENCE	CATEGORY	DIMENSION A mm	DIMENSION B mm	thread mm	TUBE DIMENSION C mm	DIMENSION D MINIMUM mm	DIMENSION D MAXIMUM mm	WEIGHT Kg
YITLR0221	1	19	44	27 X 3	380	490	710	4'000
YITLR0222	1	19	44	27 X 3	400	510	720	4'046
YITLR0223	1	19	44	27 X 3	430	540	750	4'158
YITLR0224	1	19	44	27 X 3	450	560	780	4'250
YITLR0225	1	19	44	27 X 3	470	580	790	4'308
YITLR0226	1	19	44	27 X 3	500	610	830	4'500
YITLR0227	1	19	44	27 X 3	550	660	880	4'600
YITLR0228	1	19	44	27 X 3	570	680	890	4'683
YITLR0229	1 , 2	19 , 25.4	44 , 51	27 X 3	320	430	640	3'745
YITLR0230	1 , 2	19 , 25.4	44 , 51	27 X 3	350	465	700	4'050
YITLR0231	1 , 2	19 , 25.4	44 , 51	27 X 3	360	480	680	4'240
YITLR0232	1 , 2	19 , 25.4	44 , 51	27 X 3	370	485	730	4'350
YITLR0233	1 , 2	19 , 25.4	44 , 51	27 X 3	380	495	745	4'450
YITLR0234	1 , 2	19 , 25.4	44 , 51	27 X 3	400	515	765	4'500
YITLR0235	1 , 2	19 , 25.4	44 , 51	27 X 3	430	454	795	4'550
YITLR0236	1 , 2	19 , 25.4	44 , 51	27 X 3	450	565	815	4'600
YITLR0237	1 , 2	19 , 25.4	44 , 51	27 X 3	470	585	810	4'653
YITLR0238	1 , 2	19 , 25.4	44 , 51	27 X 3	500	615	865	4'800
YITLR0239	1 , 2	19 , 25.4	44 , 51	27 X 3	550	665	915	5'100
YITLR0240	2	25.4	51	27 X 3	220	340	460	4'060
YITLR0241	2	25.4	51	27 X 3	275	395	575	4'250
YITLR0242	2	25.4	51	27 X 3	320	460	680	4'435
YITLR0243	2	25.4	51	27 X 3	350	470	725	4'550
YITLR0244	2	25.4	51	27 X 3	370	490	765	4'650
YITLR0245	2	25.4	51	27 X 3	380	500	780	4'700
YITLR0246	2	25.4	51	27 X 3	400	520	800	4'800
YITLR0247	2	25.4	51	27 X 3	430	550	780	4'848
YITLR0248	2	25.4	51	27 X 3	450	570	850	4'900
YITLR0249	2	25.4	51	27 X 3	470	590	870	5'050
YITLR0250	2	25.4	51	27 X 3	500	620	850	5'111
YITLR0251	2	25.4	51	27 X 3	550	670	950	5'250
YITLR0252	2	25.4	51	27 X 3	570	690	970	5'400
YITLR0253	2	25.4	51	30 X 3	350	470	720	4'628
YITLR0254	2	25.4	51	30 X 3	400	520	770	4'290
YITLR0255	2	25.4	51	30 X 3	420	540	790	5'191
YITLR0256	2	25.4	51	30 X 3	460	580	830	5'341
YITLR0257	2	25.4	51	30 X 3	500	620	870	5'491
YITLR0258	2	25.4	51	30 X 3	520	640	890	5'566
YITLR0259	2	25.4	51	30 X 3	560	680	930	5'716
YITLR0260	2	25.4	51	30 X 3	610	730	980	5'903
YITLR0261	2	25.4	51	30 X 3	730	850	1100	6'353
YITLR0262	2	25.4	51	36 X 3	360	485	720	6'654
YITYLR0262	2	25.4	51	36 X 3	400	525	760	6'861
YITLR0264	2	25.4	51	36 X 3	450	575	810	7'119
YITLR0265	2	25.4	51	36 X 3	520	640	860	7'480
YITLR0266	2	25.4	51	36 X 3	580	705	920	7'790

YITLR0267	2	25.4	51	36 X 3	400	555	840	9'111
YITLR0268	2 , 3	25.4 , 32	51	36 X 3	400	555	840	8'991
YITLR0269	3	32	51	36 X 3	460	615	900	9'181
YITLR0270	2	25.4	51	40 X 3	500	635	870	8'240
YITLR0271	2	25.4	51	40 X 3	620	755	990	8'940
YITLR0272	3	32	51	40 X 3	500	650	970	10'520
YITLR0273	3	32	51	40 X 3	620	770	1090	11'220

TOP LINK ASSEMBLY [HIGH STANDARD or SPECIAL]

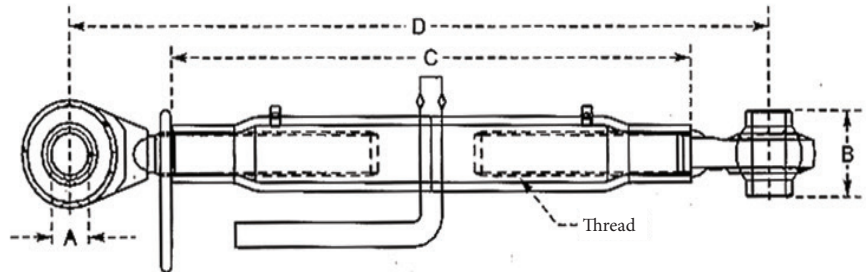
Technical Specification

- Pipe : material UNI S355, thickness 4.5 - 5 mm, tensile strength $s = 490$ to 630 N/mm^2 , drawn and seamless, painted.

- End assembly : material UNI C40, hot forged and rolled.

- Ball: material UNI C20, case hardened, hardness 52 - 58 HRC, hardened thickness : 0.4 - 0.7 mm.

- Coating : Zinc plated parts Fe / Zn



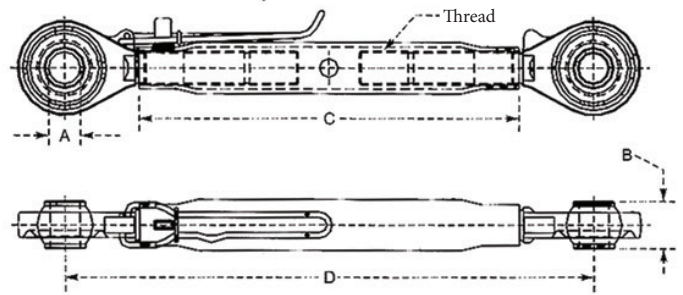
TOP LINK HIGH STANDARD

REFERENCE	CATEGORY	BALL JOINT DIAMETER A mm	BALL JOINT LENGTH mm	THREAD mm	PIPE DIMENSION C mm	DIMENSION D MINIMUM mm	DIMENSION D MAXIMUM mm	WEIGHT kg
YITLH0201	1	19	44	22X2.5	160	256	350	2'420
YITLH0202	1	19	44	22X2.5	230	330	490	2'681
YITLH0203	1	19	44	22X2.5	280	380	540	2'867
YITLH0204	1	19	44	22X2.5	300	400	560	2'941
YITLH0205	1	19	44	27X3	220	330	450	3'461
YITLH0206	1	19	44	27 X 3	320	430	640	3'878
YITLH0207	1	19	44	27 X 3	370	480	690	4'086
YITLH0208	1	19	44	27 X 3	430	540	750	4'336
YITLH0209	1	19	44	27 X 3	470	580	790	4'502
YITLH0210	1	19	44	27 X 3	570	680	890	4'919

REFERENCE	CATEGORY	BALL JOINT DIAMETER A mm	BALL JOINT LENGTH mm	THREAD mm	PIPE DIMENSION C mm	DIMENSION D MINIMUM mm	DIMENSION D MAXIMUM mm	WEIGHT kg
YITLH0211	1 , 2	19, 25.4	44, 51	27 X 3	320	430	640	4'223
YITLH0212	1 , 2	19, 25.4	44, 51	27 X 3	360	480	680	4'389
YITLH0213	1 , 2	19, 25.4	44, 51	27 X 3	470	585	810	4'847
YITLH0214	2	25.4	51	27 X 3	220	340	460	4'151
YITLH0215	2	25.4	51	27 X 3	320	460	680	4'568
YITLH0216	2	25.4	51	27 X 3	430	550	780	5'026
YITLH0217	2	25.4	51	27 X 3	500	620	850	5'317
YITLH0218	1	19	44	30 X 3	370	485	715	4'350
YITLH0219	1	19	44	30 X 3	400	515	745	4'600
YITLH0220	1	19	44	30 X 3	450	565	795	4'900
YITLH0221	1	19	44	30 X 3	500	615	845	5'250
YITLH0222	1 , 2	19, 25.4	44, 51	30 X 3	370	485	725	4'350
YITLH0223	1 , 2	19, 25.4	44, 51	30 X 3	400	515	755	4'600
YITLH0224	1 , 2	19, 25.4	44, 51	30 X 3	450	565	805	4'900
YITLH0225	1 , 2	19, 25.4	44, 51	30 X 3	500	515	855	5'350
YITLH0226	2	25.4	51	30 X 3	350	470	720	5'073
YITLH0227	2	25.4	51	30 X 3	370	490	740	5'115
YITLH0228	2	25.4	51	30 X 3	400	520	770	5'281
YITLH0229	2	25.4	51	30 X 3	420	540	790	5'364
YITLH0230	2	25.4	51	30 X 3	450	570	820	5'450
YITLH0231	2	25.4	51	30 X 3	460	580	830	5'531
YITLH0232	2	25.4	51	30 X 3	500	620	870	5'697
YITLH0233	2	25.4	51	30 X 3	520	640	890	5'781
YITLH0234	2	25.4	51	30 X 3	550	670	920	5'850
YITLH0235	2	25.4	51	30 X 3	560	680	930	5'947
YITLH0236	2	25.4	51	30 X 3	600	720	970	6'050
YITLH0237	2	25.4	51	30 X 3	610	730	980	6'155
YITLH0238	2	25.4	51	30 X 3	650	770	1020	6'250
YITLH0239	2	25.4	51	30 X 3	700	820	1070	6'355
YITLH0240	2	25.4	51	30 X 3	720	840	1090	6'500
YITLH0241	2	25.4	51	30 X 3	730	850	1100	6'655
YITLH0242	2	25.4	51	36 X 3	350	485	735	6'900
YITLH0243	2	25.4	51	36 X 3	360	485	720	6'929
YITLH0244	2	25.4	51	36 X 3	380	515	765	7'050
YITLH0245	2	25.4	51	36 X 3	400	525	760	7'166
YITLH0246	2	25.4	51	36 X 3	450	575	810	7'463
YITLH0247	2	25.4	51	36 X 3	460	595	845	7'600
YITLH0248	2	25.4	51	36 X 3	520	640	860	7'877
YITLH0249	2	25.4	51	36 X 3	570	705	955	8'000
YITLH0250	2	25.4	51	36 X 3	580	705	920	8'233
YITLH0251	2	25.4	51	36 X 3	600	735	985	8'355
YITLH0252	2	25.4	51	36 X 3	620	755	1005	8'550
YITLH0253	2	25.4	51	36 X 3	640	775	1025	8'650
YITLH0254	2	25.4	51	36 X 3	360	515	805	6'900
YITLH0255	2	25.4	51	36 X 3	400	555	840	9'416
YITLH0256	2	25.4	51	36 X 3	460	615	905	7'600

YITLH0257	2	25.4	51	36 X 3	520	675	965	8'250
YITLH0258	2	25.4	51	36 X 3	580	735	1025	9'000
YITLH0259	23	25.4, 32	51	36 X 3	400	555	840	9'296
YITLH0260	23	25.4, 32	51	36 X 3	460	615	905	8'000
YITLH0261	23	25.4, 32	51	36 X 3	520	675	965	9'000
YITLH0262	23	25.4, 32	51	36 X 3	580	735	1025	9'400
YITLH0263	3	32	51	36 X 3	400	555	895	9'350
YITLH0264	3	32	51	36 X 3	460	615	900	9'532
YITLH0265	3	32	51	36 X 3	520	675	965	9'850
YITLH0266	3	32	51	36 X 3	580	735	1025	10'000
YITLH0267	2	25.4	51	40 X 3	500	635	870	8'678
YITLH0268	2	25.4	51	40 X 3	620	755	990	9'482
YITLH0269	2	25.4	51	40 X 3	400	535	785	8'250
YITLH0270	2	25.4	51	40 X 3	500	635	885	8'650
YITLH0271	2	25.4	51	40 X 3	520	655	905	9'650
YITLH0272	2	25.4	51	40 X 3	580	715	965	9'860
YITLH0273	2	25.4	51	40 X 3	620	755	1005	10'450
YITLH0274	3	32	51	40 X 3	500	650	970	10'958
YITLH0275	3	32	51	40 X 3	620	770	1090	11'762

TOP LINK ASSEMBLY [WITH SPRING LOCK]



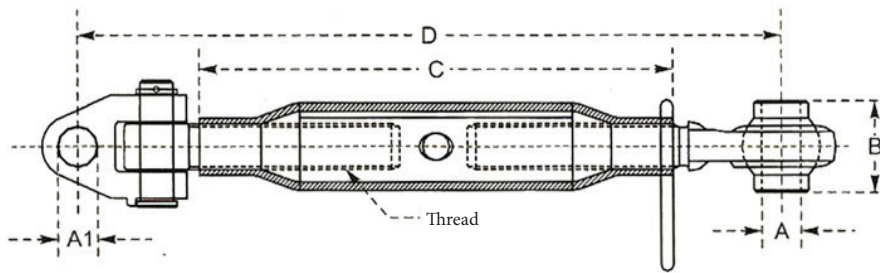
TOP LINK WITH SPRING LOCK

REFERENCE	CATEGORY	DIAMETER A mm	BALL JOINT LENGTH mm	THREAD mm	PIPE DIMENSION C mm	DIMENSION D MINIMUM mm	DIMENSION D MAXIMUM mm	WEIGHT kg
YITLH0291	2	25.4	51	36 X 3	360	500	790	6'650
YITLH0292	2	25.4	51	36 X 3	400	540	830	6'860
YITLH0293	2	25.4	51	36 X 3	460	600	890	7'120
YITLH0294	2	25.4	51	36 X 3	520	660	950	7'480
YITLH0295	2	25.4	51	36 X 3	580	720	1010	7'790
YITLH0296	3	32	51	42X3	360	500	790	6'100
YITLH0297	3	32	51	42X3	400	540	830	6'700
YITLH0298	3	32	51	42X3	460	600	890	7'700
YITLH0299	3	32	51	42X3	520	660	950	8'700
YITLH02100	3	32	51	42X3	580	720	1010	9'650

TOP LINK WITH KNUCKLE END AND BALL END

Technical Specification

- Pipe : material UNI S355, thickness 4.5 - 5 mm, tensile strength $s = 490$ to 630 N/mm², drawn and seamless, painted.
- End assembly : material UNI C40, hot forged and rolled.
- Ball: material UNI C20, case hardened, hardness 52 - 58 HRC, hardened thickness : 0.4 - 0.7 mm.
- Coating : Zinc plated parts Fe / Zn



TOP LINK KNUCKLE WITH BALL END

REFERENCE	CATEGORY	DIAMETER A1 mm	DIAMETER A mm	BALL JOINT DIMENSION mm	THREAD mm	PIPE DIMENSION C mm	DIMENSION D MINIMUM mm	DIMENSION D MAXIMUM mm	WEIGHT kg
YITLA0201	2	25.4	25.4	51	36 X 3	360	535	780	8'225
YITLA0202	2	25.4	25.4	51	36 X 3	400	575	840	8'432
YITLA0203	2	25.4	25.4	51	36 X 3	450	625	890	8'69
YITLA0204	2	25.4	25.4	51	36 X 3	480	655	920	8'845
YITLA0205	2	25.4	25.4	51	36 X 3	520	695	960	9'052
YITLA0206	2	25.4	25.4	51	36 X 3	580	755	1020	9'362
YITLA0207	23	25.4	32	51	36 X 3	360	535	780	9'080
YITLA0208	23	25.4	32	51	36 X 3	400	575	840	9'287
YITLA0209	23	25.4	32	51	36 X 3	450	625	890	9'545
YITLA0210	23	25.4	32	51	36 X 3	480	655	920	9'700
YITLA0211	23	25.4	32	51	36 X 3	520	695	960	9'907
YITLA0212	23	25.4	32	51	36 X 3	580	755	1020	10'217
YITLA0213	3	32	32	51	36 X 3	360	535	780	9'080
YITLA0214	3	32	32	51	36 X 3	400	575	840	9'287
YITLA0215	3	32	32	51	36 X 3	450	625	890	9'545
YITLA0216	3	32	32	51	36 X 3	480	655	920	9'700
YITLA0217	3	32	32	51	36 X 3	520	695	960	9'907
YITLA0218	3	32	32	51	36 X 3	580	755	1020	10'217

TOP LINK ASSEMBLY - FORD

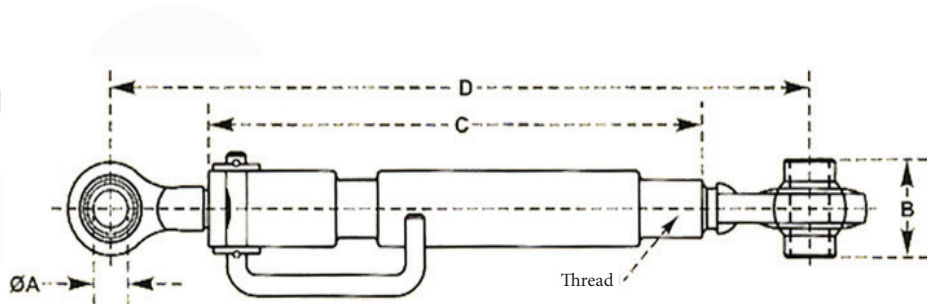
Technical Specification

- Pipe : material UNI S355, thickness 4.5 - 5 mm, tensile strength $s = 490$ to 630 N/mm^2 , drawn and seamless, painted.

- End assembly : material UNI C40, hot forged and rolled.

- Ball: material UNI C20, case hardened, hardness 52 - 58 HRC, hardened thickness : 0.4 - 0.7 mm.

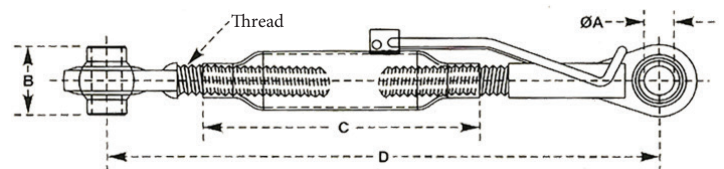
- Coating : Zinc plated parts Fe / Zn



TOP LINK FORD

REFERENCE	CATEGORY	DIAMETER A mm	BALL JOINT LENGTH mm	THREAD inches	PIPE DIMENSION C mm	DIMENSION D MINIMUM mm	DIMENSION D MAXIMUM mm	WEIGHT kg	NOTE
YITLFO0201	1	19.05	44	1-1/4" UNC	425	622	794	6'630	
YITLFO0202	1, 2	19.05, 25.40	44, 51	1-1/4" UNC	425	622	794	6'800	
YITLFO0203	2	25.40	51	1-1/4" UNC	425	622	794	6'950	
YITLFO0204	2	25.40	51	1-1/4" UNC	485	685	857	7'250	

TOP LINK JD

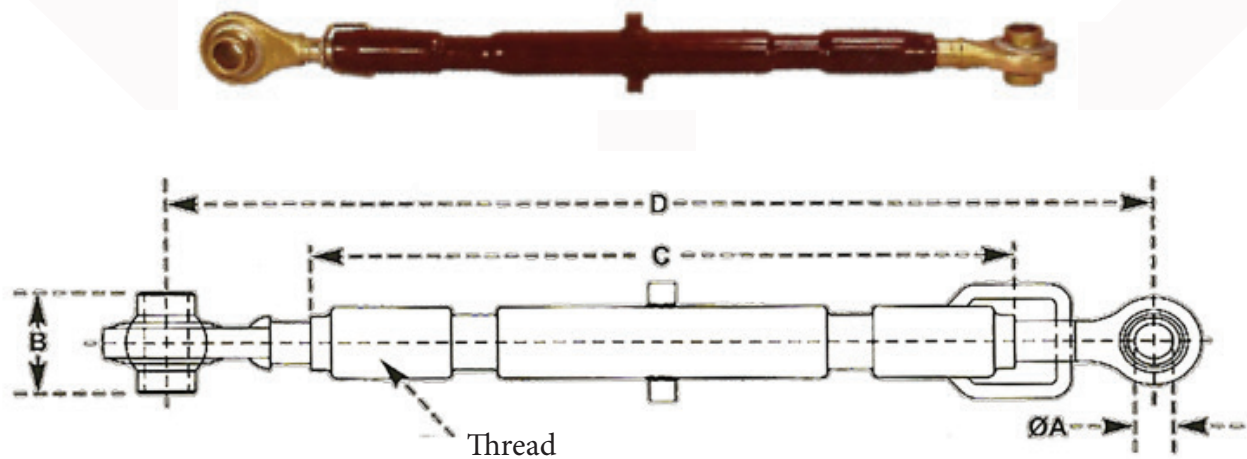


REFERENCE	DIAMETER A mm	BALL JOINT LENGTH mm	THREAD inches	PIPE DIMENSION C mm	DIMENSION D MINIMUM mm	DIMENSION D MAXIMUM mm	WEIGHT kg	NOTE
YITLJDO0201	20, 25.4	44, 51	1-1/8" UNC	320	550	760	5'450	

TOP LINK MF

Technical Specification

- Pipe : material UNI S355, thickness 4.5 - 5 mm, tensile strength $s = 490$ to 630 N/mm², drawn and seamless, painted.
- End assembly : material UNI C40, hot forged and rolled.
- Ball: material UNI C20, case hardened, hardness 52 - 58 HRC, hardened thickness : 0.4 - 0.7 mm.
- Coating : Zinc plated parts Fe / Zn



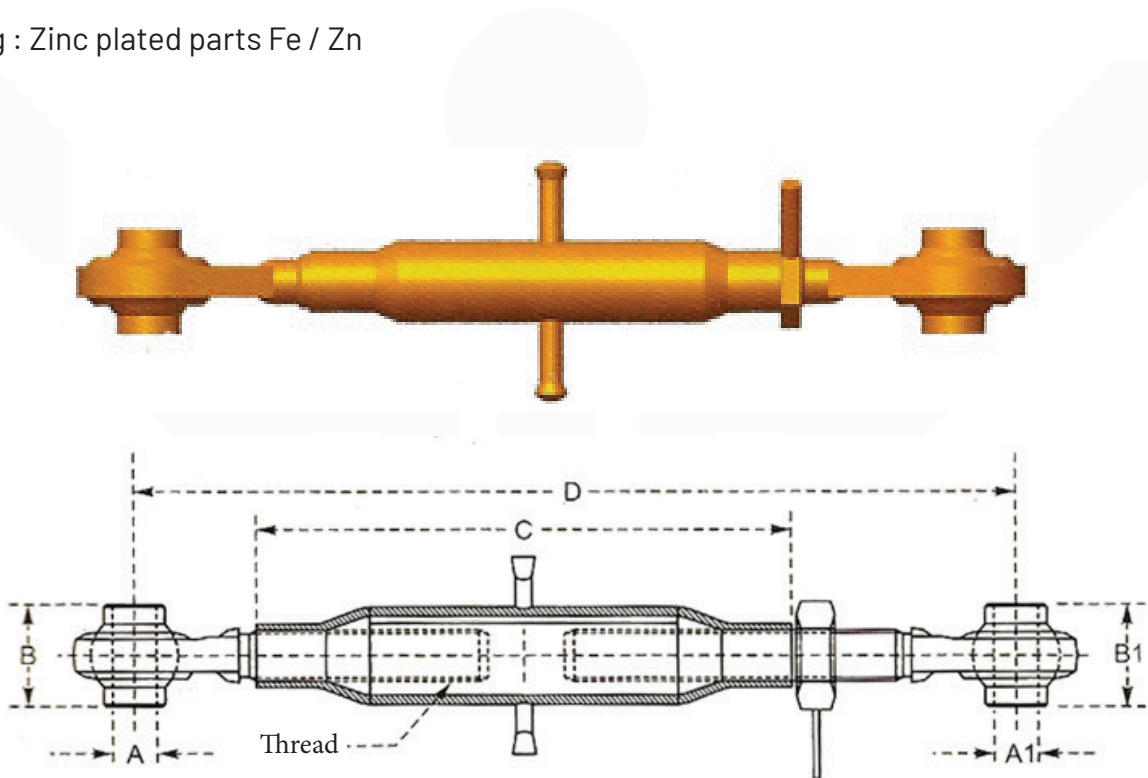
TOP LINK MF

REFERENCE	CATEGORY	DIAMETER A mm	BALL JOINT DIMENSION mm	THREAD inches	PIPE DIMENSION C mm	DIMENSION D MINIMUM mm	DIMENSION D MAXIMUM mm	WEIGHT kg	NOTE
YITLMF0201	1	19.05	44	1-1/16" UNF	438	590	750	4'550	
YITLMF0202	1	19.05	44	1-1/16" UNF	476	610	770	5'310	
YITLMF0203	1	19.05	44	1-1/16" UNF	546	670	830	5'220	
YITLMF0204	2	25.4	51	1-1/16" UNF	546	670	830	5'400	
YITLMF0205	1 , 2	19.05, 25.4	44, 51	1-1/16" UNF	546	670	830	5'450	
YITLMF0206	1 , 2	19.05, 25.5	44, 51	1-1/16" UNF	476	610	770	5'520	
YITLMF0207	2	25.4	51	1-1/16" UNF	476	610	770	5'770	
YITLMF0208	1 , 2	19.05, 25.5	44, 51	1-1/16" UNF	438	590	750	5'310	
YITLMF0209	2	25.4	51	1-1/16" UNF	438	590	750	4'100	
YITLMF0210	2	25.4	51	1-1/4" UNF	527	680	870	7'990	

TOP LINK DEUTZ

Technical Specification

- Pipe : material UNI S355, thickness 4.5 - 5 mm, tensile strength $s = 490$ to 630 N/mm², drawn and seamless, painted.
- End assembly : material UNI C40, hot forged and rolled.
- Ball: material UNI C20, case hardened, hardness 52 - 58 HRC, hardened thickness : 0.4 - 0.7 mm.
- Coating : Zinc plated parts Fe / Zn



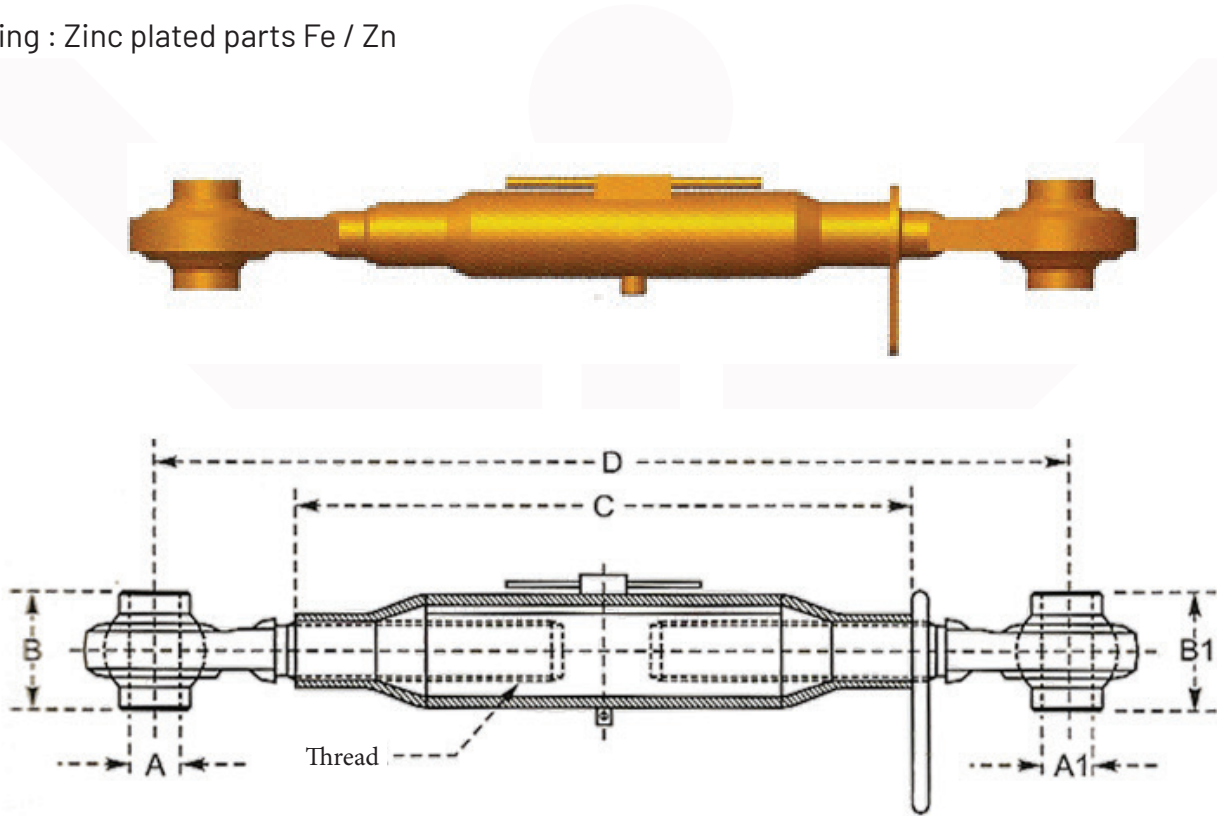
TOP LINK DEUTZ

REFERENCE	DIAMETER A-A1 mm	BALL JOINT LENGTH B-B1 mm	THREAD mm	PIPE DIMENSION C mm	DIMENSION D MINIMUM mm	DIMENSION D MAXIMUM mm	WEIGHT kg
YITLDU0201	25.4	51	M 27 X 2	340	595	815	4'100

TOP LINK ZETOR-URSUS

Technical Specification

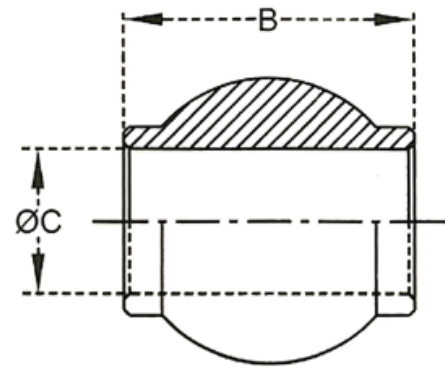
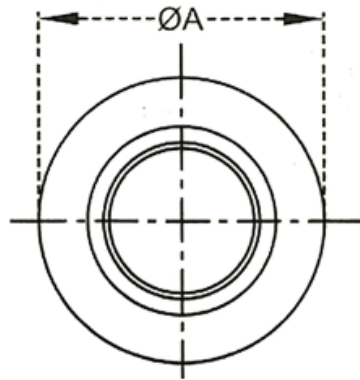
- Pipe : material UNI S355, thickness 4.5 - 5 mm, tensile strength $s = 490$ to 630 N/mm², drawn and seamless, painted.
- End assembly : material UNI C40, hot forged and rolled.
- Ball: material UNI C20, case hardened, hardness 52 - 58 HRC, hardened thickness : 0.4 - 0.7 mm.
- Coating : Zinc plated parts Fe / Zn



TOP LINK ZETOR - URSUS

REFERENCE	DIAMETER A mm	DIAMETER A1 mm	BALL JOINT DIMENSION mm	BALL JOINT DIMENSION B1 mm	THREAD mm	PIPE DIMENSION C mm	DIMENSION D MINIMUM mm	DIMENSION D MAXIMUM mm	WEIGHT kg
YITLZE0201	25.4	25.4	44	44	M27X3	400	520	770	4'370
YITLZE0202	25.4	25.4	51	44	M27X3	400	520	770	4'600
YITLZE0203	25.4	25.4	51	51	M27X3	430	550	800	4'700
YITLZE0204	25.4	19	51	44	M27X3	430	545	770	4'700
YITLZE0205	25.4	25.4	51	51	M27X3	330	450	680	3'700
YITLZE0206	25.4	25.4	51	51	M30X3	470	590	830	5'100
YITLZE0207	32	25.4	51	51	M36X3	470	610	875	5'300

TOP LINK BALLS

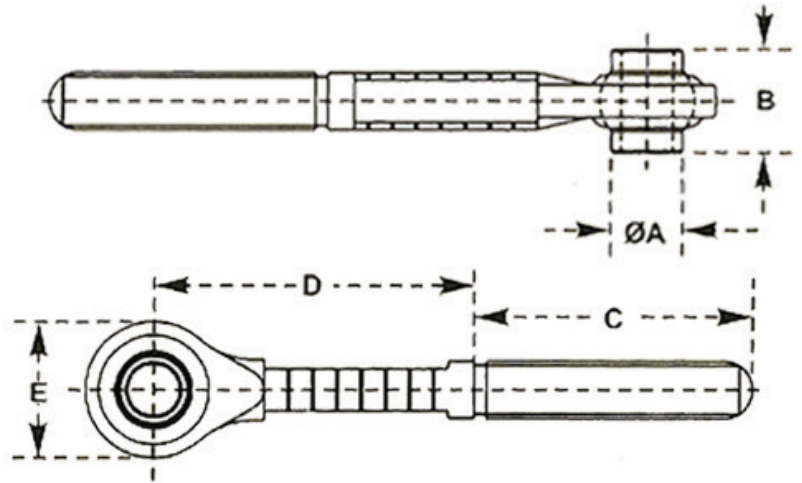


TOP LINK BALLS

REFERENCE	DIAMETER A mm	DIMENSION B mm	DIAMETER C mm	WEIGHT kg
YITLB0201	32	25.4	16	0'200
YITLB0202	38	25.4	15.9	0'250
YITLB0203	38	41	19	0'290
YITLB0204	38	44	19	0'300
YITLB0205	38	44	20	0'300
YITLB0206	50	44	19	0'340
YITLB0207	46	44	20	0'320
YITLB0208	46	42	25.4	0'330
YITLB0209	46	44	25.4	0'320
YITLB0210	46	51	25.4	0'330
YITLB0211	50	51	25.4	0'340
YITLB0212	50	44	25.4	0'340
YITLB0213	50	51	25.4	0'350
YITLB0214	50.8	44.5	25.4	0'330
YITLB0215	50.8	44.5	28.4	0'320
YITLB0216	54	51	25.4	0'450
YITLB0217	54	55	30	0'430
YITLB0218	54	51	32	0'440
YITLB0219	54	55	35	0'420
YITLB0220	60	51	25.4	0'610
YITLB0221	60	51	32	0'560
YITLB0222	38	35	22.1	0'280
YITLB0223	44	51	20	0'300
YITLB0224	42	44	19	0'290
YITLB0225	46	51	22.1	0'335
YITLB0226	46	4.5	28.4	0'320
YITLB0227	46	35	22.1	0'325
YITLB0228	46	44.5	22.1	0'325
YITLB0229	46	50	26	0'320
YITLB0230	46	51	25.4	0'330
YITLB0231	46	51	20	0'350
YITLB0232	48	50	25.4	0'350
YITLB0233	50	44.5	22.1	0'340

REFERENCE	DIAMETER A mm	DIMENSION B mm	DIAMETER C mm	WEIGHT kg
YITLB0234	50	51	19	0'400
YITLB0235	50	4.5	28.6	0'340
YITLB0236	50	49	25.4	0'450
YITLB0237	50	51	30	0'435
YITLB0238	50	51	22.1	0'470
YITLB0239	50	51	25.2	0'455
YITLB0240	52	4.5	28.6	0'350
YITLB0241	54	44	32	0'400
YITLB0242	54	44	20	0'430
YITLB0243	54	44	22.1	0'410
YITLB0244	54	4.5	28.4	0'400
YITLB0245	54	51	3.4	0'430
YITLB0246	54	55	32	0'480
YITLB0247	54	60	19	0'490
YITLB0248	54	50	30	0'435
YITLB0249	54	50	35	0'425
YITLB0250	54	51	30	0'420
YITLB0251	56	51	25.4	0'430
YITLB0252	60	51	28.4	0'580
YITLB0253	60	51	37	0'545
YITLB0254	62	51	25.4	0'630
YITLB0255	62	51	32	0'615
YITLB0256	64	55	28.6	0'655
YITLB0257	78	75	50	0'750
YITLB0258	78	75	4.5	0'760
YITLB0259	78	75	40	0'770
YITLB0260	78	65	40	0'670

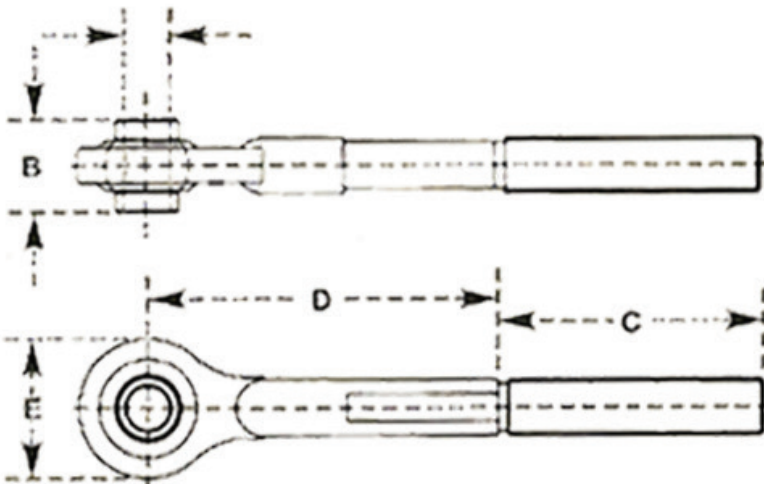
TOP LINK END WITH BALL JOINT [MF]



TOP LINK END MF

REFERENCE	CATEGORY	DIAMETER A mm	BALL JOINT DIMENSION mm	THREAD inches/mm	THREADED ROD DIMENSION C	TIE DIMENSION D mm	BALL JOINT DIMENSION E mm	WEIGH T kg	NOT E
YITLMEF0201	1	19	44	1-1/16"-R	128	167	66	1'300	
YITLMEF0202	1	19	44	1-1/16"-L	128	167	58	1'200	
YITLMEF0203	2	25.4	51	1-1/16"-R	128	167	66	1'450	
YITLMEF0204	2	25.4	51	1-1/16"-L	128	167	58	1'350	

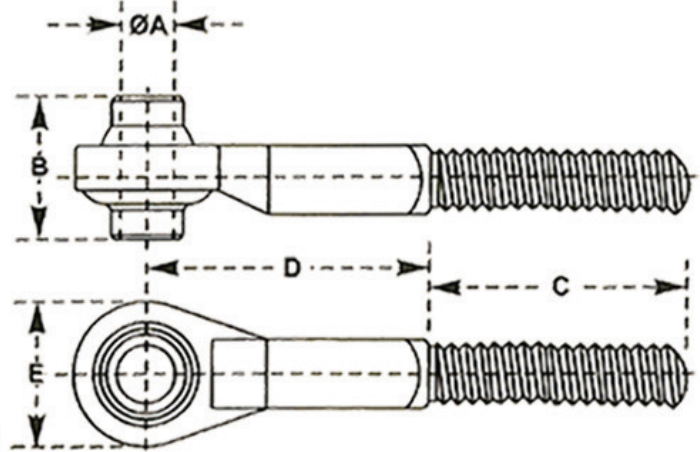
TOP LINK END WITH BALL JOINT [FORD]



TOP LINK END FORD

REFERENCE	CATEGORY	DIAMETER A mm	BALL JOINT DIMENSION mm	THREAD inches/mm	THREADED ROD DIMENSION C	TIE DIMENSION D mm	BALL JOINT DIMENSION E mm	WEIGHT kg
YITLFO0201	1	19	44	1-1/4" UNF-L	128	208	58	1'350
YITLFO0202	2	25.4	51	1-1/4" UNF-L	128	208	76	1'450
YITLFO0203	2	25.4	51	1-1/4" UNF-R	168	86	76	1'200

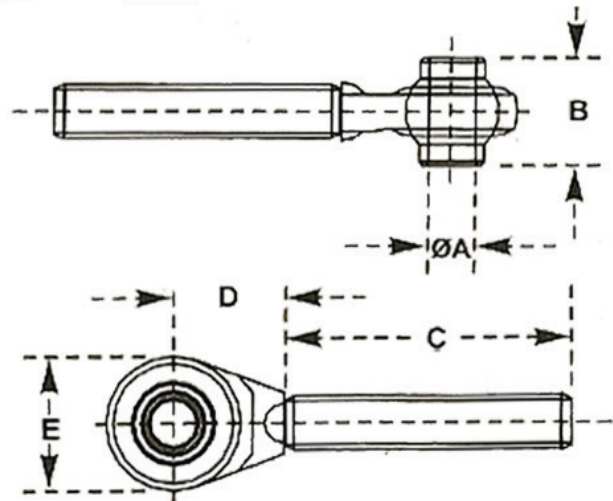
TOP LINK END WITH BALL JOINT [JD]



TOP LINK END JD

REFERENCE	CATEGORY	DIAMETER A mm	BALL JOINT DIMENSION mm	THREAD inches/mm	THREADED ROD DIMENSION C	TIE DIMENSION D mm	BALL JOINT DIMENSION E mm	WEIGHT kg
YITLEJD0201	2	25.4	51	1-1/8"UN C-R	175	162	70	1'550
YITLEJD0202	1	20	44	1-1/8"UN C-L	190	56	66	1'300
YITLEJD0203	2	25.4	51	M 27 X 3 R	175	162	70	1'550
YITLEJD0204	1	20	44	M 27 X 3L	190	56	66	1'300

THREADED BALL JOINT

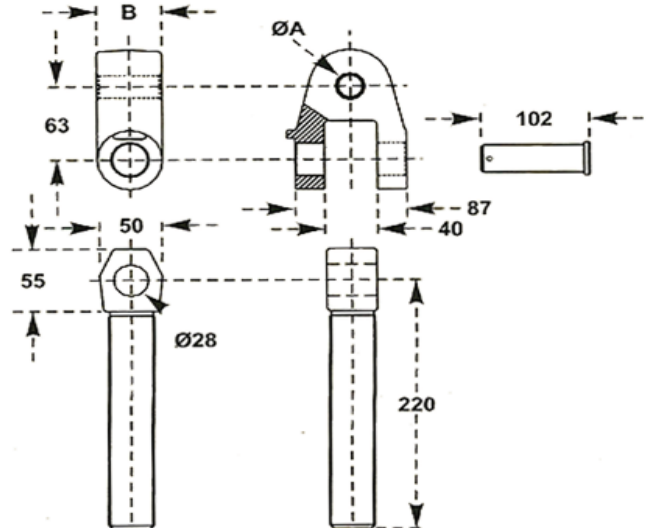


TOP LINK END

REFERENCE	CATEGORY	DIAMETER A mm	BALL JOINT DIMENSION mm	THREAD mm	TIE DIMENSION C mm	DIMENSION D mm	BALL JOINT DIMENSION E mm	BALL DIAMETER mm	WEIGHT kg
YITLEM0201	1	19	44	22x2.5R	125	4.5	52	38	0'590
YITLEM0202	1	19	44	22x2.5L	125	4.5	52	38	0'590
YITLEM0203	1	19	44	24x2.5R	115	50	62	38	0'580
YITLEM0204	1	19	44	24X2.5L	115	50	62	38	0'580

REFERENCE	CATEGORY	DIAMETER A mm	BALL JOINT DIMENSION mm	THREAD mm	TIE DIMENSION C mm	DIMENSION D mm	BALL JOINT DIMENSION E mm	BALL DIAMETER mm	WEIGHT kg
YITLEM0205		22.1	35	24X3R	127	4.5		44	0'575
YITLEM0206	1	19.2	44	24X3R	155	50	62	38	0'635
YITLEM0207	1	19.2	44	24X3L	155	50	62	38	0'635
YITLEM0208	1.2	19.2 25.4	4.5	24X3R	165	58	80	54	0'700
YITLEM0209	1.2	19.2 25.4	4.5	24X3L	165	58	80	54	0'700
YITLEM0210		28.2	4.5	27X3R	180	62	80	58	0'906
YITLEM0211	1	19	44	27X3R	155	50	62	38	0'950
YITLEM0212	1	19	44	27X3L	155	50	62	38	0'950
YITLEM0213	2	25.4	51	27X3R	90	55	75	50	1'000
YITLEM0214	2	25.4	51	27X3L	90	55	75	50	1'000
YITLEM0215	2	25.4	51	27X3R	170	55	75	50	1'110
YITLEM0216	2	25.4	51	27X3L	170	55	75	50	1'110
YITLEM0217	2	25.4	51	27X3R	220	4.5	70	50	1'200
YITLEM0218	2	25.4	51	27X3L	220	4.5	70	50	1'200
YITLEM0219	1	19.2	44	30X3R	175	50	62	38	1'000
YITLEM0220	1	19.2	44	30X3L	175	50	62	38	1'000
YITLEM0221	2	25.4	51	30X3R	165	55	75	50	1'300
YITLEM0222	2	25.4	51	30X3L	165	55	75	50	1'300
YITLEM0223	2	25.4	51	30X3R	200	50	75	50	1'400
YITLEM0224	2	25.4	51	30X3L	200	50	75	50	1'400
YITLEM0225		20.2	44	30X3.5R	175	50	62	42	1'000
YITLEM0226		20.2	44	30X3.5L	175	50	62	42	1'000
YITLEM0227		22.1	51	30X3.5R	165	55	75	50	1'300
YITLEM0228		22.1	51	30X3.5L	165	55	75	50	1'000
YITLEM0229	1	19.2	44	30X3.5R	175	50	62	38	1'000
YITLEM0230	1	19.2	44	30X3.5L	175	50	62	38	1'000
YITLEM0231	2	25.4	51	30X3.5R	165	55	75	50	1'500
YITLEM0232	2	25.4	51	30X3.5L	165	55	75	50	1'500
YITLEM0233	2	25.4	51	36X3R	165	55	80	54	1'675
YITLEM0234	2	25.4	51	36X3L	165	55	80	54	1'675
YITLEM0235	2	25.4	51	36X3R	200	70	96	62	2'530
YITLEM0236	2	25.4	51	36X3L	200	70	96	62	2'530
YITLEM0237	2	25.4	51	40X3R	175	60	80	50	2'050
YITLEM0238	2	25.4	51	40X3L	175	60	80	50	2'050
YITLEM0239	3	32	51	36X3R	200	70	96	62	2'530
YITLEM0240	3	32	51	36X3L	200	70	96	62	2'530
YITLEM0241	3	32	51	40X3R	200	70	96	62	2'530
YITLEM0242	3	32	51	40X3L	200	70	96	62	2'530

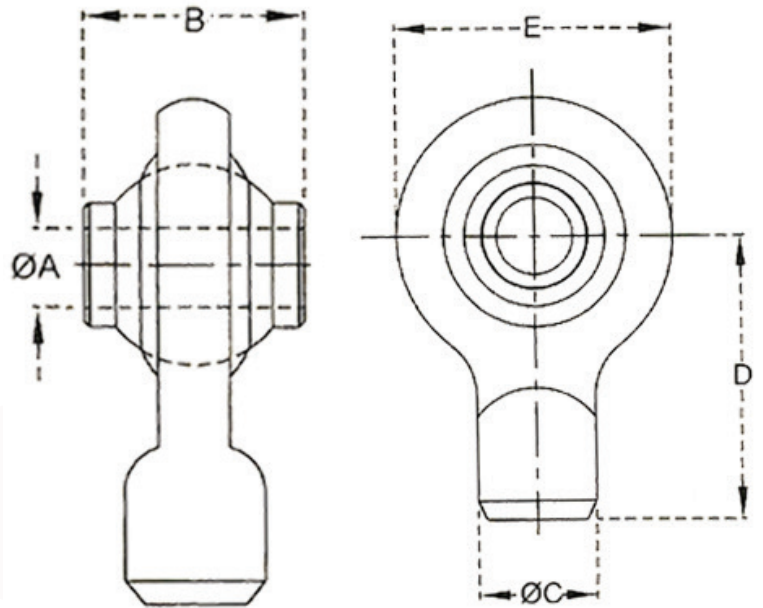
ARTICULATED YOKE 3RD POINT LINKAGE



TOP LINK ARTICULATED YOKE END

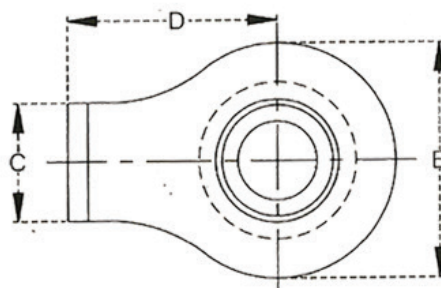
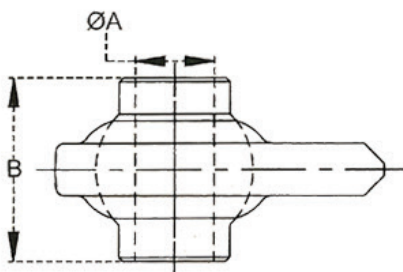
REFERENCE	CATEGORY	DIAMETER A mm	DIMENSION B mm	THREAD mm	THREADED ROD REPLACEMENT	ARTICULATION REPLACEMENT	WRIGHT Kgs
YITLAY0201	2	25.4	51	M30X3R	TLAR-02-3030R	TLAE-02-25	3'920
YITLAY0202	2	25.4	51	M30X3L	TLAR-02-3030L	TLAE-02-25	3'920
YITLAY0203		28.2	51	M30X3R	TLAR-02-3030R	TLAE-02-28	3'850
YITLAY0204		28.2	51	M30X3L	TLAR-02-3030L	TLAE-02-28	3'850
YITLAY0205		30.2	51	M30X3R	TLAR-02-3030R	TLAE-02-30	3'820
YITLAY0206		30.2	51	M30X3L	TLAR-02-3030L	TLAE-02-30	3'820
YITLAY0207	3	32	51	M30X3R	TLAR-02-3030R	TLAE-02-32	3'770
YITLAY0208	3	32	51	M30X3L	TLAR-02-3030L	TLAE-02-32	3'770
YITLAY0209	1	19.2	51	M30X3,5R	TLAR-02-3035R	TLAE-02-19	4'020
YITLAY0210	1	19.2	51	M30X3,5L	TLAR-02-3035L	TLAE-02-19	4'020
		20.2	51	M30X3,5R	TLAR-02-3035R	TLAE-02-20	3'985
YITLAY0212		20.2	51	M30X3,5L	TLAR-02-3035L	TLAE-02-20	3'985
YITLAY0213		22.1	51	M30X3,5R	TLAR-02-3035R	TLAE-02-22	3'970
YITLAY0214		22.1	51	M30X3,5L	TLAR-02-3035L	TLAE-02-22	3'970
YITLAY0215	2	25.4	51	M30X3,5R	TLAR-02-3035R	TLAE-02-25	3'920
YITLAY0216	2	25.4	51	M30X3,5L	TLAR-02-3035L	TLAE-02-25	3'920
YITLAY0217		20.2	51	M36X3R	TLAR-02-3630R	TLAE-02-20	4'460
YITLAY0218		20.2	51	M36X3L	TLAR-02-3630L	TLAE-02-20	4'460
YITLAY0219		22.1	51	M36X3R	TLAR-02-3630R	TLAE-02-22	4'445
YITLAY0220		22.1	51	M36X3L	TLAR-02-3630L	TLAE-02-22	4'445
YITLAY0221	2	25.4	51	M36X3R	TLAR-02-3630R	TLAE-02-25	4'395
YITLAY0222	2	25.4	51	M36X3L	TLAR-02-3630L	TLAE-02-25	4'395
YITLAY0223		30.2	51	M36X3R	TLAR-02-3630R	TLAE-02-30	4'295
YITLAY0224		30.2	51	M36X3L	TLAR-02-3630L	TLAE-02-30	4'295
YITLAY0225	3	32	51	M36X3R	TLAR-02-3630R	TLAE-02-32	4'245
YITLAY0226	3	32	51	M36X3L	TLAR-02-3630L	TLAE-02-32	4'245
YITLAY0227	2	25.4	51	M40X3R	TLAR-02-4030R	TLAE-02-25	4'470
YITLAY0228	2	25.4	51	M40X3L	TLAR-02-4030L	TLAE-02-25	4'470
YITLAY0229	3	32	51	M40X3R	TLAR-02-4030R	TLAE-02-32	4'320
YITLAY0230	3	32	51	M40X3L	TLAR-02-4030L	TLAE-02-32	4'320

WELD ROUND NECK JOINT



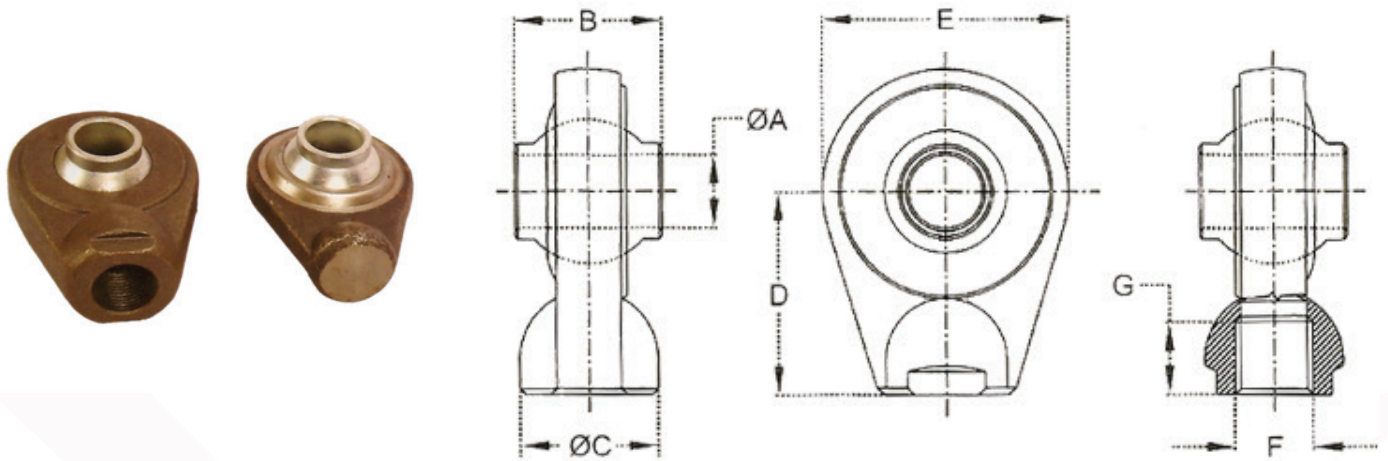
REFERENCE	DIAMETER A mm	DIMENSION B mm	DIAMETER C mm	DIMENSION D mm	DIMENSION Emm	WEIGHT kg
YIWETL0201	19	44	25.4	55	54	0'440
YIWETL0202	25.4	51	30	73	76	0'730
YIWETL0203	25.4	51	36	78	80	0'825
YIWETL0204	32	51	36	85	100	0'850
YIWETL0205	19	44	25	51.5	53	0'420
YIWETL0206	25.4	51	38	90	90	0'830
YIWETL0207	25.4	51	31	71.5	75	0'720
YIWETL0208	25.4	51	40	107	88	1'100
YIWETL0209	25.4	51	40	85	90	0'820

WELD FLAT NECK JOINT



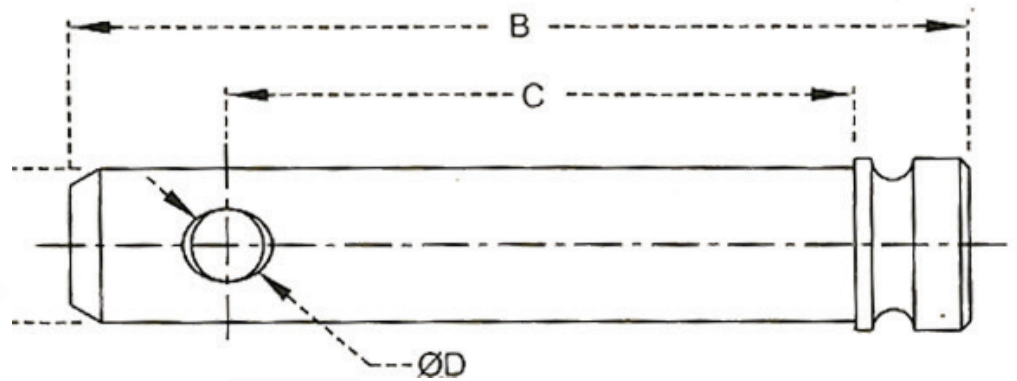
REFERENCE	DIAMETER A mm	DIMENSION B mm	DIAMETER C mm	DIMENSION D mm	DIMENSION Emm	WEIGHT kg
YIWETL-0211	19	44	28.5	57	58.8	0'450
YIWETL-0212	25.4	51	28.5	66	60	0'685

WELD BALL JOINT THIRD BASE POINT



REFERENCE	DIAMETER A mm	DIMENSION B mm	DIAMETER C mm	DIMENSION D mm	DIMENSION E mm	DIMENSION F mm	DIMENSION G mm	WEIGHT kg
YIWETL0221	19.5	44	30x14	36	62			0'420
YIWETL0222	19.5	44	Ø34	60	60			0'720
YIWETL0223	20	44	Ø34	60	60			0'720
YIWETL0224	22.5	51	Ø38	63	75			1'050
YIWETL0225	25.4	51	Ø38	65	75			1'000
YIWETL0226	25.4	51	Ø48	70	85			1'610
YIWETL0227	25.4	51	Ø48	70	85	27x2	25	1'510
YIWETL0228	30	55	Ø50	65	83			1'410
YIWETL0229	19	30	Ø25	48	53			0'360
YIWETL0230	19	44	Ø25	48	53			0'390
YIWETL0231	32	51	Ø38	85	90			1'400
YIWETL0232	25.4	51	Ø50	65	83			0'475
YIWETL0233	30	51	Ø50	70	80			1'560
YIWETL0234	30	51	Ø50	70	80	27x2	27	1'460
YIWETL0235	29	55	Ø50	65	83			1'410
YIWETL0236	35	55	Ø50	65	83			1'280
YIWETL0237	40	75	Ø60	85	108			3'600
YIWETL0238	40	75	Ø60	85	108	38x2	28	3'600
YIWETL0239	4.5	75	Ø60	85	108			3'600
YIWETL0240	4.5	75	Ø60	85	108	38x2	28	3'600
YIWETL0241	50	75	Ø60	85	108			3'600
YIWETL0242	50	75	Ø60	85	108	38x2	28	3'600
YIWETL0243	50	100	75	87	140			4'000

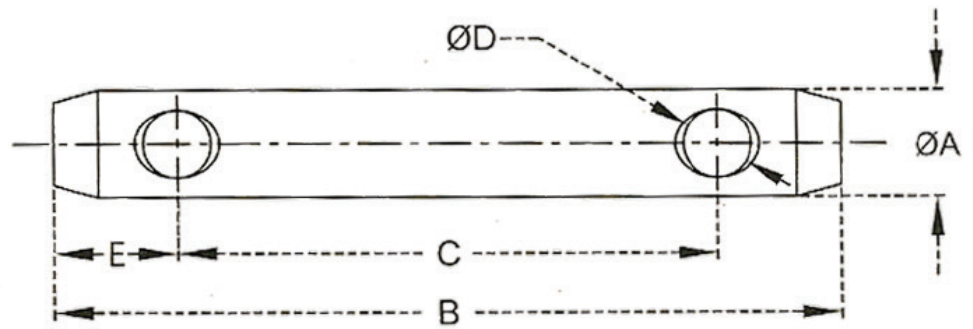
TOP LINK PIN WITH HEAD



REFERENCE	DIAMETER A mm	DIMENSION B mm	DIMENSION C mm	DIAMETER D mm	WEIGHT kg	NOTE
YITLP0201	15.9	113	76	8.3	0'220	
YITLP0202	15.9	112.7	82.2	8.3	0'235	
YITLP0203	19	90	52	12	0'240	
YITLP0204	19	90	57	12	0'240	
YITLP0205	19	95	65	10	0'245	
YITLP0206	19	113	76	12	0'265	
YITLP0207	19	117	85	10	0'270	
YITLP0208	19	123	86	12	0'275	
YITLP0209	19	125	95	12	0'280	
YITLP0210	19	127	92	12	0'295	
YITLP0211	19	133	95	12	0'300	
YITLP0212	19	135	102.5	8.5	0'305	
YITLP0213	19	135	105	10	0'305	
YITLP0214	19	138	103	12	0'310	
YITLP0215	19	150	116	12	0'330	
YITLP0216	19	155	125	10	0'340	
YITLP0217	19	164	127	12	0'355	
YITLP0218	25	132	95	12	0'535	
YITLP0219	25	136	105	11	0'540	
YITLP0220	25	141	105	12	0'550	
YITLP0221	25	145	110	11	0'555	
YITLP0222	25	156	125	11	0'560	
YITLP0223	25	165	126	12	0'580	
YITLP0224	25	180	136	12	0'610	
YITLP0225	25	178	145	11	0'540	
YITLP0226	25.4	123	86	12	0'520	
YITLP0227	25.4	135	95	12	0'535	
YITLP0228	25.4	148	110	12	0'555	
YITLP0229	25.4	154	116	12	0'565	
YITLP0230	25.4	180	142	12	0'630	

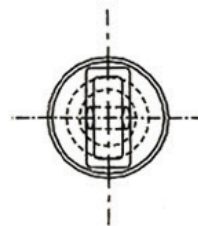
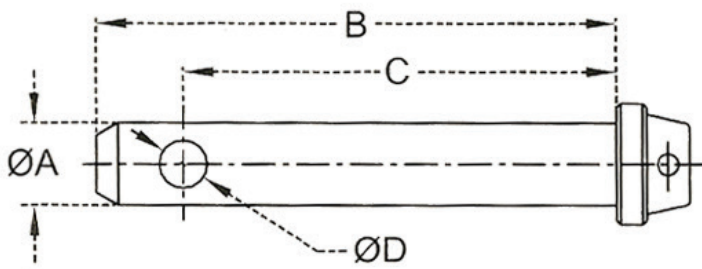
REFERENCE	DIAMETER A mm	DIMENSION B mm	DIMENSION C mm	DIAMETER D mm	WEIGHT kg	NOTE
YITLP0231	28	151	103	12	0'700	
YITLP0232	19	175	145	10	0'380	
YITLP0233	19	197	165	10	0'400	
YITLP0234	20	117	83	12	0'290	
YITLP0235	22	78	39	12	0'425	
YITLP0236	22	114	76	12	0'515	
YITLP0237	22	114	78	8.3	0'515	
YITLP0238	22	118	85	11	0'520	
YITLP0239	22	132	94	12	0'545	
YITLP0240	22	136	105	12	0'550	
YITLP0241	22	140	110	12	0'555	
YITLP0242	22	158	125	11	0'580	
YITLP0243	22	190	149	12	0'615	
YITLP0244	22	178	145	11	0'600	
YITLP0245	22	221	184	12	0'650	
YITLP0246	25	115	76	12	0'655	
YITLP0247	25	136	85	11	0'710	
YITLP0248	28	156	125	12	0'765	
YITLP0249	28	165	130	12	0'800	
YITLP0250	28	178	145	12	0'830	
YITLP0251	28.6	133	95	12	0'770	
YITLP0252	28.6	197	159	12	0'900	
YITLP0253	31	165	125	12	0'987	
YITLP0254	31.7	165.1	118.7	12	1'030	
YITLP0255	32	152	105	12	1'000	
YITLP0256	32	154	105	12	1'010	
YITLP0257	32	164	125	12	1'070	
YITLP0258	32	175	136	12	1'100	

TOP LINK PIN WITH DOUBLE HOLE



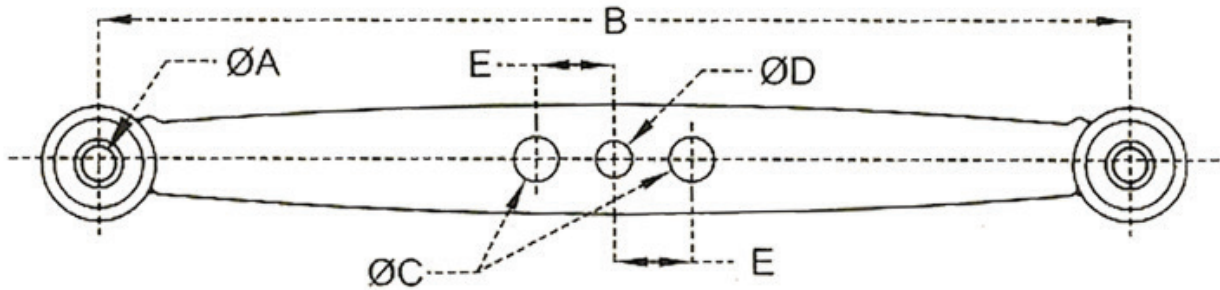
REFERENCE	CATEGORY	DIAMETER A mm	DIMENSION B mm	DIMENSION C mm	DIAMETER D mm	DIMENSION Emm	WEIGHT kg	NOTE
YITLPDD0201	1	19	140	96	12	22	0'272	
YITLPDD0202	1	19	170	126	12	22	0'336	
YITLPDD0203	1	19	207	163	12	22	0'416	
YITLPDD0204	1	19	254	210	12	22	0'520	
YITLPDD0205		22	140	96	12	22	0'370	
YITLPDD0206		22	170	126	12	22	0'456	
YITLPDD0207	2	25	144	100	12	22	0'452	
YITLPDD0208	2	25	164	120	12	22	0'570	
YITLPDD0209	2	25	210	166	12	22	0'750	
YITLPDD0210	2	25	254	210	12	22	0'945	
YITLPDD0211	2	25	294	250	12	22	1'070	

TOP LINK PIN WITH CHAIN AND PIN



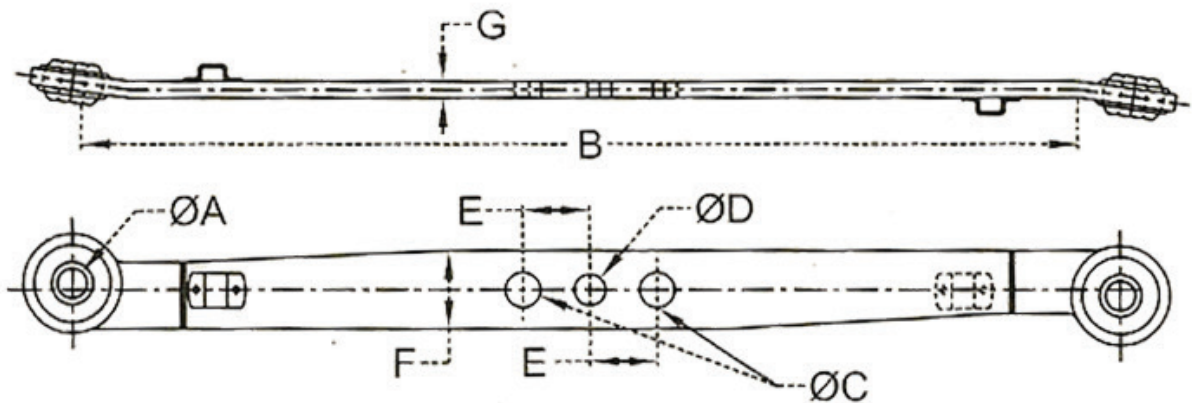
REFERENCE	DIAMETER A mm	DIMENSION B mm	DIMENSION C mm	DIAMETER D mm	WEIGHT kg	NOTE
YITLPLP0201	14.3	84	73	6	0'200	
YITLPLP0202	19	92	77	6	0'300	
YITLPLP0203	19	120	100	8	0'364	
YITLPLP0204	19	120	108	8	0'364	
YITLPLP0205	25	120	98	8	0'592	
YITLPLP0206	25	120	100	11	0'592	

LOWER LINK ARM



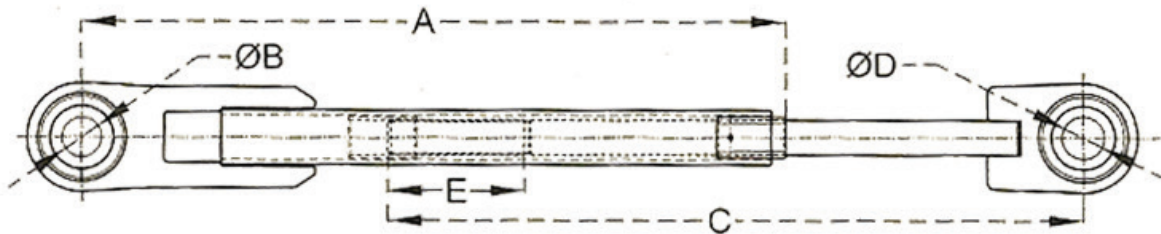
REFERENCE	CATEGOR Y	DIAMETER "A" mm	DIMENSIO "B" mm	DIAMETER "C" mm	DIAMETER "D" mm	DIMENSIO "E" mm	WEIGH T kg	NOTE
YILLA0401	1	22.22	806.45	19.05	16.50	60.32	5'200	
YILLA0402	1	22.22	806.45	19.05	16.50	60.32	5'200	

LOWER LINK ARM 2



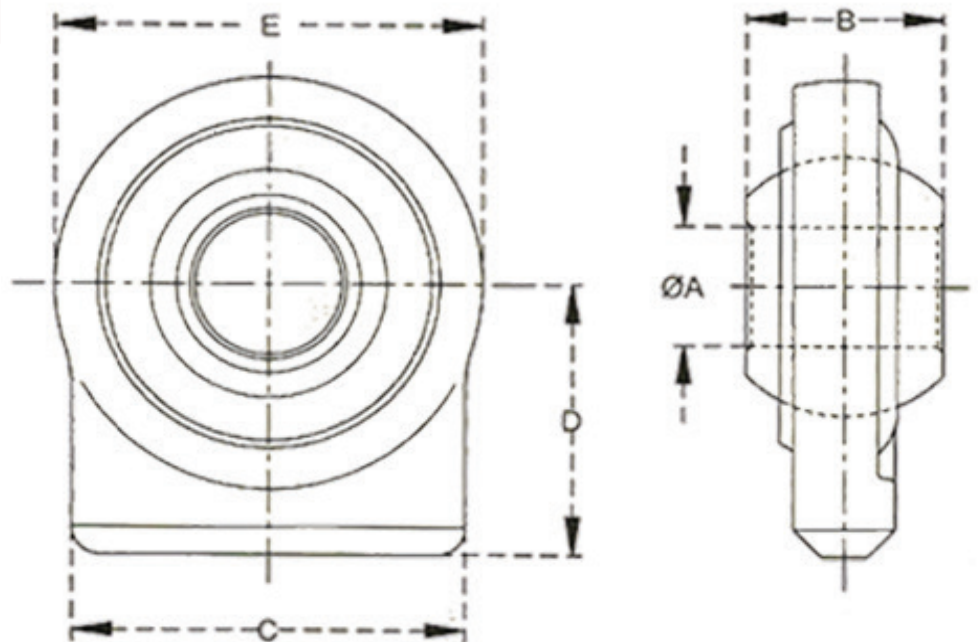
REFERENCE	DIAMETER "A" mm	DIMENSIO N "B" mm	DIAMETER "C" mm	DIAMETER "D" mm	DIMENSIO N "E" mm	DIMENSIO N "F" mm	DIMENSIO N "G" mm	WEIGH T kg	NOTE
YILLA0411	22.22	813	19.50	16.50	63.50	63	12	5'200	
YILLA0412	22.22	813	19.50	16.50	51.50	65	16	6'500	

STABILIZER ASSEMBLY



REFERENCE	DIMENSION "A" mm	DIAMETER "B" mm	DIMENSION "C" mm	DIAMETER "D" mm	DIMENSION "E" mm	WEIGHT kg	NOT E
YILLA0421	513	29	507	29	100	4'000	
YILLA0422	678	29	669	29	100	4'750	
YILLA0423	591	29	582	29	130	4'500	
YILLA0424	591	29	582	29	100	4'500	

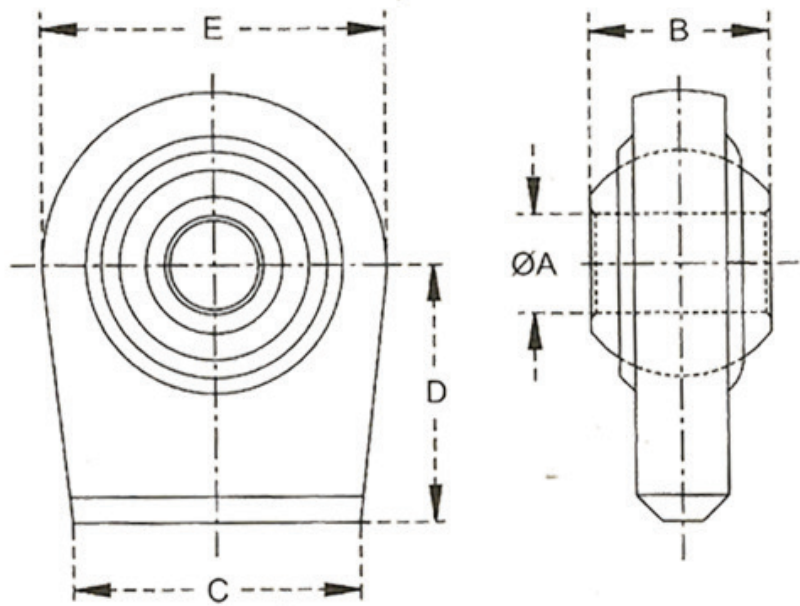
WELDON END FOR LOWER LINK



REFERENCIA	CATEGORY A	DIAMETER "A" mm	DIMENSION "B" mm	DIMENSION "C" mm	DIMENSION "D" mm	DIMENSION "E" mm	WEIGHR Kgs	NOTA
YIWELL0401		14.2	32	30	60	46	0'325	
YIWELL0402		16.2	20	30	28	46	0'310	
YIWELL0403		16.2	20	30	60	46	0'310	
YIWELL0404	1	19	44	52	50	52	0'550	
YIWELL0405	1	19.3	35	50	40	65	0'600	
YIWELL0406	1	22.1	35	50	45	65	0'520	
YIWELL0407	1	22.1	35	55	70	66	0'525	

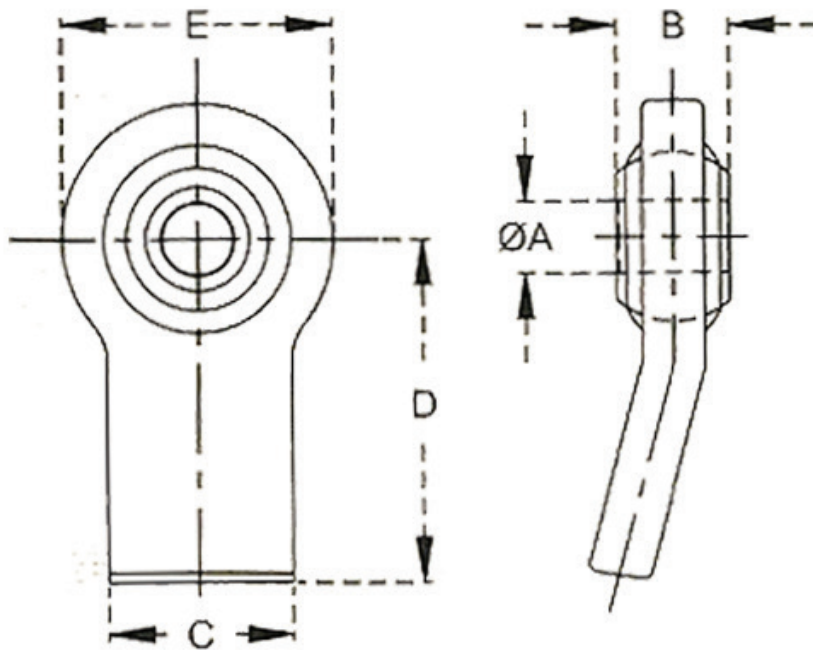
REFERENCIA	CATEGORY A	DIAMETER "A" mm	DIMENSION "B" mm	DIMENSION "C" mm	DIMENSION "D" mm	DIMENSION "E" mm	WEIGHR Kgs	NOTA
YIWELL0408	1	22.1	35	70	50	76	0'840	
YIWELL0409	1	22.1	35	70	55	83	1'250	
YIWELL0410	1 , 2	22.1 , 28.4	45	70	65	80	1'360	
YIWELL0411	1	25.4	48	70	40	78	1'200	
YIWELL0412	1	25.4	50	70	44	76	1'150	
YIWELL0413	1	25.4	35	70	55	83	1'200	
YIWELL0414	1	25.4	38	70	80	78	1'165	
YIWELL0415	1	25.4	51	70	55	83	1'250	
YIWELL0416	1	26.2	35	70	50	76	0'810	
YIWELL0417	2	28.4	35	70	50	76	0'790	
YIWELL0418	2	28.4	45	70	65	80	1'380	
YIWELL0419	2	28.4	45	70	65	96	1'750	
YIWELL0420	2	28.4	35	70	55	83	1'250	
YIWELL0421	2	28.4	50	70	44	76	1'150	
YIWELL0422	2	28.4	45	80	65	108	1'350	
YIWELL0423	2	28.4	45	70	80	80	1'535	
YIWELL0424	2	30.2	45	70	65	80	1'380	
YIWELL0425		34.2	45	70	65	96	1'725	
YIWELL0426		35.1	45	80	65	108	2'200	
YIWELL0427		37.4	45	80	65	108	2'150	
YIWELL0428	3	38.4	45	80	65	108	2'100	

LONG WELDON END FOR LOWER LINK



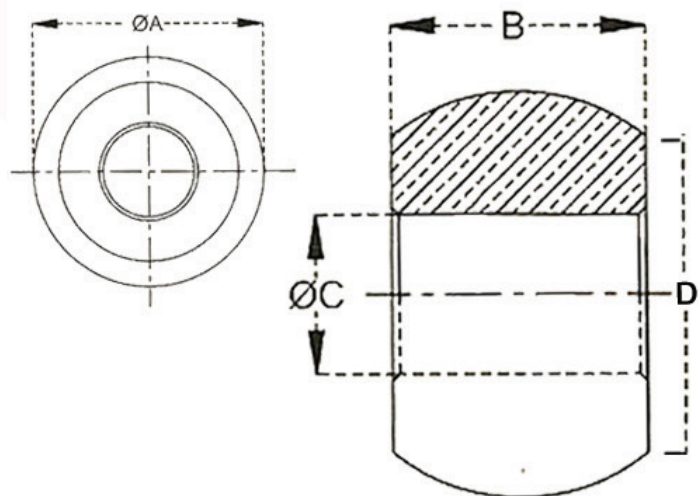
REFERENCE	CATEGORY	DIAMETER "A" mm	DIMENSION "B" mm	DIMENSION "C" mm	DIMENSION "D" mm	DIMENSION "E" mm	WEIGHT Kgs	NOTE
YIWELL0441		16.2	20	30	60	46	0'500	
YIWELL0442	1	19.3	35	56	50	67	0'850	
YIWELL0443	1	22.1	35	56	50	67	0'850	
YIWELL0444	1	22.1	35	60	70	67	0'850	
YIWELL0445	1	22.1	35	58	75	67	1'000	
YIWELL0446	1	22.1	35	60	50	67	1'100	
YIWELL0447	1	22.1	35	50	90	68	1'200	
YIWELL0448	1	22.1	35	70	50	76	1'150	
YIWELL0449	1	22 , 28	35 , 45	70	65	80	1'450	
YIWELL0450	1 , 2	22.1 , 28.4	45	70	80	80	1'500	
YIWELL0451	1	25.4	35	70	50	76	1'150	
YIWELL0452	1	25.4	35	70	79	83	1'450	
YIWELL0453	1	25.4	38	70	79	83	1'500	
YIWELL0454	1	25.4	44.5	70	79	83	1'450	
YIWELL0455	2	28.4	35	70	50	76	1'150	
YIWELL0456	2	28.4	42	70	65	80	1'450	
YIWELL0457	2	28.4	44.5	70	65	80	1'400	
YIWELL0458	2	28.4	44.5	70	79	83	1'450	
YIWELL0459	2	28.4	44.5	70	80	80	1'425	
YIWELL0460	2	28.4	45	70	80	85	1'500	
YIWELL0461	2	28.4	35	70	80	80	1'480	
YIWELL0462	2	28.4	45	70	80	80	1'550	
YIWELL0463	2	28.4	45	70	55	82	1'475	
YIWELL0464	2	28.4	45	70	65	96	1'650	
YIWELL0465	2	28.4	45	85	75	90	1'525	
YIWELL0466	2	28.4	45	100	80	110	2'300	
YIWELL0467		37	45	80	65	108	2'000	

INCLINED BALL JOINT PARALLEL BAR



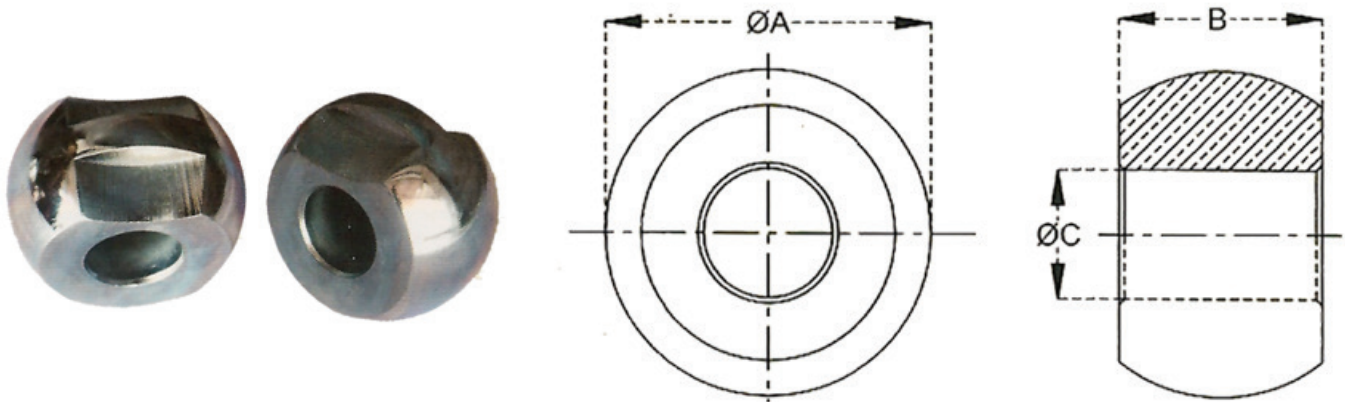
REFERENCE	CATEGOR Y	DIAMETER "A" mm	DIMENSION "B" mm	DIMENSION "C" mm	DIMENSION "D" mm	DIMENSION "E" mm	WEIGHT kg	NOT E
YIWELL0481	1	22.2	34.9	46	101.6	66.7	1'500	
YIWELL0482	2	28.6	44.5	46	101.6	79.4	1'750	
YIWELL0483	2	28.4	4.5	70	110	80	2'200	

DOUBLE HOLE BALL



REFERENCE	DIAMETER "A" mm	DIMENSION "B" mm	DIAMETER "C" mm	DIMENSION "D" mm	WEIGHT kg	NOT E
YILLBD0401	57	22.5	28.7	44.5	0'450	

LOWER LINK BALL WITH & WITHOUT CUT

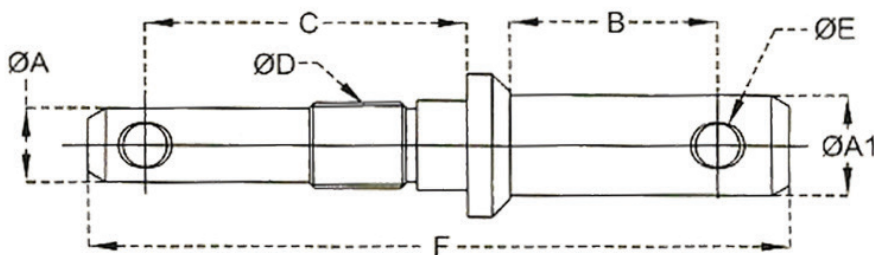


REFERENCE	DIAMETER "A" mm	DIMENSION "B" mm	DIAMETER "C" mm	WEIGHT kg	NOTE
YILLB0401	28	20	16	0'050	
YILLB0402	32	25.4	16	0'100	
YILLB0403	38	25.4	16	0'125	
YILLB0404	38	30	19	0'140	
YILLB0405	38	27	20	0'130	
YILLB0406	44	35	22.1	0'210	
YILLB0407	44	30	22	0'200	
YILLB0408	44	3.4	25.4	0'210	
YILLB0409	44	35	19	0'210	
YILLB0410	44.5	35	19	0'215	
YILLB0411	44.5	35	22.1	0'215	
YILLB0412	46	33.5	28.4	0'210	
YILLB0413	46	35	25.4	0'235	
YILLB0414	46	33.5	28.4	0'210	
YILLB0415	46	35	28.4	0'235	
YILLB0416	48	35	22.1	0'300	
YILLB0417	48	35	25.4	0'260	
YILLB0418	48	35	28.4	0'225	
YILLB0419	50	40	25.4	0'320	
YILLB0420	50	40	29	0'310	
YILLB0421	50	3.4	22.1	0'285	
YILLB0422	50	3.4	20	0'290	
YILLB0423	20	3.4	22	0'285	
YILLB0424	50	3.4	24	0'280	
YILLB0425	50	3.4	28	0'265	
YILLB0426	50	3.4	30	0'255	
YILLB0427	50	3.4	25.4	0'275	
YILLB0428	50	44	25.4	0'415	
YILLB0429	50	39.5	28.4	0'385	
YILLB0430	50	38	25.4	0'375	

REFERENCE	DIAMETER "A" mm	DIMENSION "B" mm	DIAMETER "C" mm	WEIGHT kg	NOTE
YILLB0431	50	38	28.4	0'365	
YILLB0432	50.8	25	38	0'350	
YILLB0433	54	55	35	0'325	
YILLB0434	54	35	35	0'265	
YILLB0435	54	42	30	0'300	
YILLB0436	55	44	28.4	0'350	
YILLB0437	56	35	22.1	0'475	
YILLB0438	56	4.5	22.1	0'440	
YILLB0439	56	35	25.4	0'445	
YILLB0440	56	35	28.4	0'405	
YILLB0441	56	38	28.4	0'405	
YILLB0442	56	4.5	28	0'445	
YILLB0443	56	4.5	28.4	0'440	
YILLB0444	56	44.5	29	0'440	
YILLB0445	56	35	29	0'400	
YILLB0446	56	4.5	29.2	0'430	
YILLB0447	56.5	4.5	28.6	0'430	
YILLB0448	56.8	44.8	28.4	0'430	
YILLB0449	57	35	22.1	0'400	
YILLB0450	57	35	25.4	0'385	
YILLB0451	57	38	25.4	0'400	
YILLB0452	57	35	28.4	0'375	
YILLB0453	57	38	28.4	0'390	
YILLB0454	57	42	28.4	0'425	
YILLB0455	57	44.5	28.4	0'440	
YILLB0456	57	4.5	3.4	0'430	
YILLB0457	57	4.5	32	0'440	
YILLB0458	57	4.5	30	0'445	
YILLB0459	58	38	25	0'445	
YILLB0460	60	51	25.4	0'610	
YILLB0461	60	4.5	3.4	0'610	
YILLB0462	60	48.5	32	0'640	
YILLB0463	60	44.5	30.2	0'600	
YILLB0464	62	4.5	32	0'620	
YILLB0465	62	51	32	0'715	
YILLB0466	62	44.5	28.4	0'645	
YILLB0467	62.5	4.5	28.6	0'645	
YILLB0468	62.5	4.5	37	0'610	
YILLB0469	62.5	4.5	37	0'610	
YILLB0470	63.5	4.5	28.6	0'640	
YILLB0471	63.5	4.5	37	0'610	
YILLB0472	63.5	4.5	37	0'610	
YILLB0473	63.5	4.5	28.6	0'640	
YILLB0474	64	4.5	22	0'750	

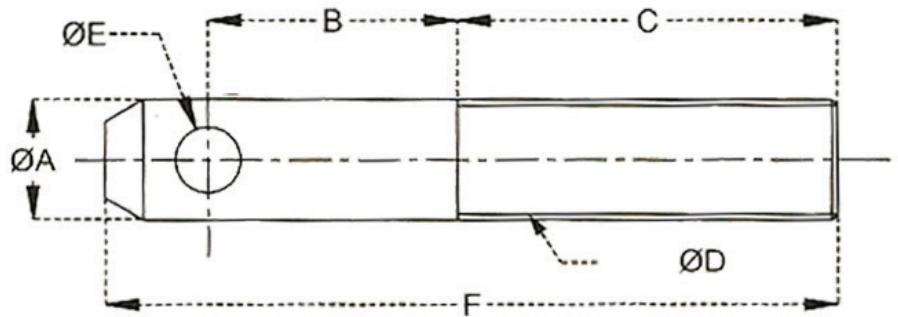
REFERENCE	DIAMETER "A" mm	DIMENSION "B" mm	DIAMETER "C" mm	WEIGHT kg	NOTE
YILLB0475	64	4.5	28.4	0'715	
YILLB0476	64	4.5	37	0'530	
YILLB0477	64	4.5	36	0'535	
YILLB0478	64	4.5	38.2	0'520	
YILLB0479	64	55	28.6	0'680	
YILLB0480	64	54	32	0'580	
YILLB0481	64	35	28.4	0'420	
YILLB0482	64	55	25.4	0'700	
YILLB0483	64	4.5	34.4	0'560	
YILLB0484	64	4.5	30.4	0'580	
YILLB0485	64	4.5	32.4	0'570	
YILLB0486	64	4.5	35.4	0'550	
YILLB0487	64	4.5	40.4	0'490	
YILLB0488	64	4.5	42.4	0'475	
YILLB0489	64	54	28.4	0'560	
YILLB0490	64	4.5	3.4	0'560	
YILLB0491	64	40	38	0'500	
YILLB0492	64	46	38	0'510	

IMPLEMENT DOUBLE HITCH PIN



REFERENCE	DIAMETER "A" mm	DIAMETER "A1" mm	DIMENSIO N "B" mm	DIMENSIO N "C" mm	THREAD "D" mm/inches	DIAMETER "E" mm	DIMENSIO N "F" mm	WEIGH T kg	NOT E
YILAPD0401	22.00	28	58	90	24X2	12	195	0'870	
YILAPD0402	22.00	28	58	90	27X3	12	195	0'992	
YILAPD0403	22.00	28.6	62	84	1" UNF	12	190.5	0'850	
YILAPD0404	22.00	28.6	62	89	1-1/8" UNF	12	197	0'950	

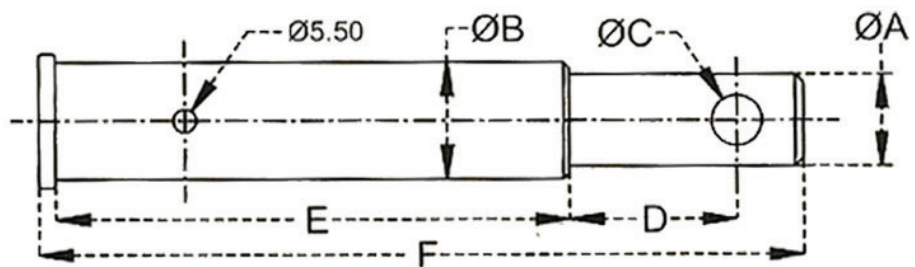
HITCH PIN WITH ADJUSTABLE IMPLEMENTS



LIFT ARM PIN

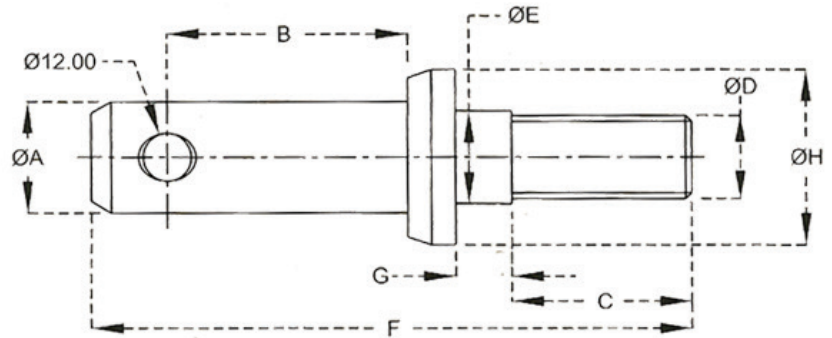
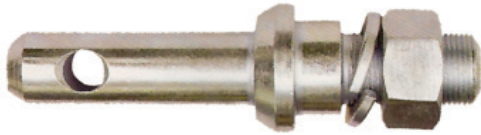
REFERENCE	DIAMETER "A" mm	DIMENSION "B" mm	DIMENSION "C" mm	THREAD "D" inches	DIAMETER "E" mm	DIMENSION "F" mm	WEIGHT NOT kg E
YILAPA0401	16	33	56	5/8" UNF	7	102	0'450
YILAPA0402	22	46	70	7/8" UNF	12	135	0'600
YILAPA0403	22	60	88	7/8" UNF	12	159	0'700
YILAPA0404	28.6	50.8	62	7/8" UNF	12	133	0'675
YILAPA0405	28.6	60	85	1-1/8" UNF	12	159	0'850
YILAPA0411	28.6	60	73	1" UNC	12	152.4	0'820
YILAPA0412	28.6	60	76	1-1/8" UNC	12	152.4	0'820

IMPLEMENT HITCH PIN



REFERENCE	DIAMETER A mm	DIAMETER B mm	DIMENSION C mm	DIMENSION D mm	DIMENSION E mm	DIAMETER F mm	WEIGHT NOT kg E
YIIMP0831	22	28	12	40	122	183	0'760
YIIMP0832	22	28	12	40	112	172	0'700

IMPLEMENT HITCH PIN 2



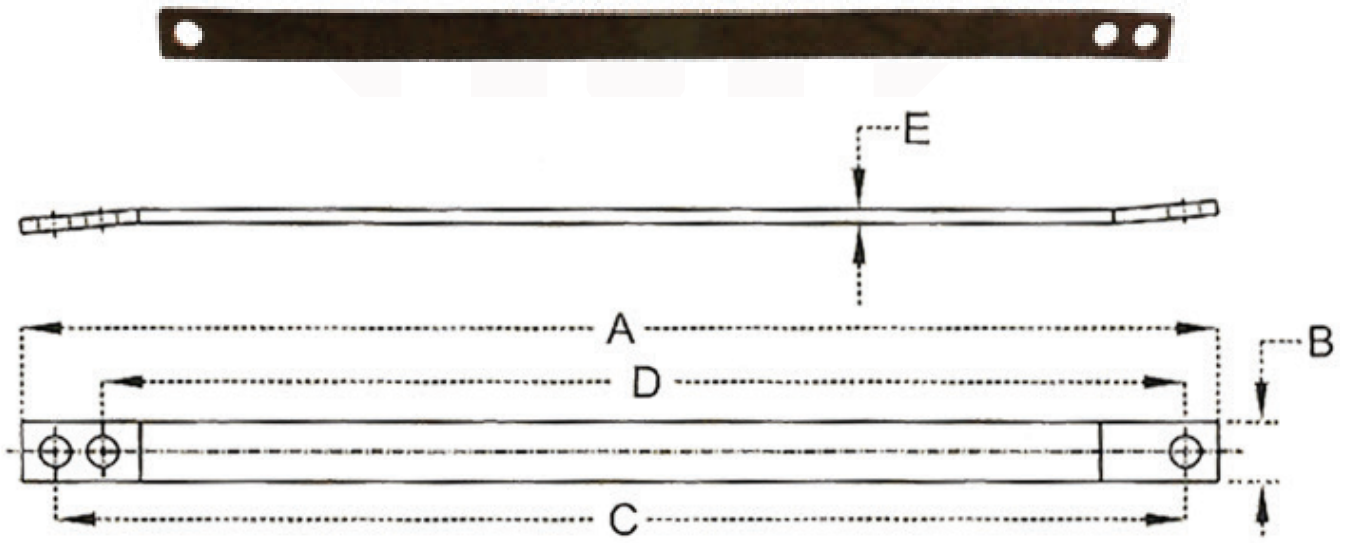
LIFT ARM PIN

REFERENCE	DIAMETER "A" mm	DIMENSION "B" mm	DIMENSION "C" mm	THREAD "D" mm	DIAMETER "E" mm	DIMENSION "F" mm	DIMENSION "G" mm	DIMENSION "H" mm	WEIGHT kg
YILAP0401	22	46	4.5	18X1. 5	18	130	5	37	0'410
YILAP0402	22	50	40	20X1. 5	20	130	5	38	0'460
YILAP0403	22	50	40	22X1. 5	22	140	14	38	0'516
YILAP0404	22	50	40	22X1. 5	28	140	14	38	0'540
YILAP0405	22	51	38	20X1. 5	20	128	10	36	0'520
YILAP0406	22	51	38	20X1. 5	20	128	10	36	0'520
YILAP0407	22	60	40	22X1. 5	22	150	20	38	0'600
YILAP0408	22	60	40	22X1. 5	28	150	20	38	0'600
YILAP0409	22	60	40	22X1. 5	25	150	20	32	0'600
YILAP0410	25	60	40	22X1. 5	25	150	20	40	0'640
YILAP0411	25	60	40	22X1. 5	28	150	20	38	0'640
YILAP0412	28	50	30	30X2	30	155	50	50	0'700
YILAP0413	28	60	4.5	22X1. 5	22	150	14	44	0'716
YILAP0414	28	55	4.5	22X1. 5	24	150	14	42	0'725
YILAP0415	28	55	4.5	24X1. 5	24	150	15	43	0'800
YILAP0416	28	60	40	22X1. 5	28	150	20	43	0'750
YILAP0417	28	55	4.5	27X1. 5	28	150	14	42	0'890
YILAP0418	28	58	48	27X1. 5	27	147	10	43	0'875

REFERENCE	DIAMETER "A" mm	DIMENSION "B" mm	DIMENSION "C" mm	THREAD "D" mm	DIAMETER "E" mm	DIMENSION "F" mm	DIMENSION "G" mm	DIMENSION "H" mm	WEIGHT kg
YILAP0419	28	58	48	27X1. 5	27	147	10	50	0'875
YILAP0420	28	60	Four. Five	22X1. 5	22	150	14	44	0'890
YILAP0421	28	60	40	22X1. 5	22	150	20	44	0'890
YILAP0422	28	60	40	22X1. 5	24	150	20	44	0'890
YILAP0423	28	62	38	22X1. 5	28	147	20	50	0'870
YILAP0424	28	64	38	27X1. 5	28	160	25	44	0'910
YILAP0425	28	65	30	30X2	30	160	40	50	0'910
YILAP0426	28	71	40	30X2	30	160	30	50	0'910
YILAP0427	36'500	61	60	27X1. 5	27	165	11	50	1'100
YILAP0441	22	51	54	7/8" UNF	22	149	11	36	0'520
YILAP0442	22	51	48	3/4" UNF	19	140	6	36	0'500
YILAP0443	22	51	43	5/8" UNF	22	140	11	36	0'500
YILAP0444	22	51	38	7/8" UNF	28'600	146	22	36	0'515
YILAP0445	22	51	50'800	1" UNF	25'400	146	9'500	36	0'515
YILAP0446	22	51	38	7/8" UNF	28'600	138	14	36	0'490
YILAP0447	22	51	Four. Five	7/8" UNF	22	140	10	3. 4	0'500
YILAP0448	22	64	56	7/8" UNF	22'200	165	16	38	0'525
YILAP0449	28	51	60	1-1/8" UNF	28'600	159	16	44	0'775
YILAP0450	28'600	51	42	7/8" UNF	22	133'500	11	43	0'700
YILAP0451	28'600	51	36'500	3/4" UNF	25'400	149	24	44	0'725
YILAP0452	28'600	57	60	1-1/8" UNF	28'600	159	16	43	0'800
YILAP0453	28'600	60	50'800	1" UNF	25'400	149	9'500	44	0'700
YILAP0454	28'600	60	54	3/4" UNF	19	149	6'300	44	0'700
YILAP0455	28'600	60	38	7/8" UNF	28'600	149	22	44	0'700
YILAP0456	28'600	60	35	7/8" UNF	22	136'500	12'700	44	0'650

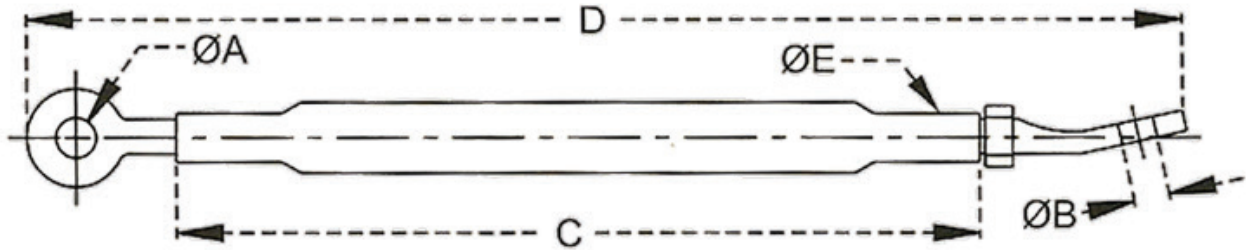
REFERENCE	DIAMETER "A" mm	DIMENSION "B" mm	DIMENSION "C" mm	THREAD "D" mm	DIAMETER "E" mm	DIMENSION "F" mm	DIMENSION "G" mm	DIMENSION "H" mm	WEIGHT kg
YILAP0457	28'600	60	44	7/8" UNF	22	145	12'700	44	0'680
YILAP0458	28'600	63'150	54	7/8" UNF	22'200	160	14	44	0'715
YILAP0459	36	54	48	1-1/8" UNF	28'600	149	16	52	0'850
YILAP0460	36'500	58	Four. Five	1-3/8" UNF	35	149	14	52	0'830
YILAP0491	22	51	50'800	1-1/8" UNC	28'600	146	9'500	38	0'515
YILAP0492	28'600	60	51	1-1/8" UNC	28'600	149	9'500	43	0'700

LOWER LIFTING ARMS



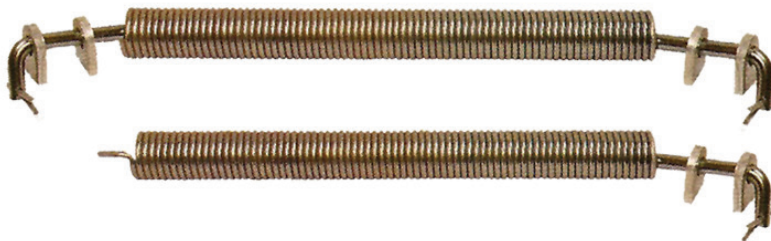
REFERENCE	DIMENSION "A" mm	DIMENSION "B" mm	DIMENSION "C" mm	DIMENSION "D" mm	DIMENSION "E" mm	WEIGHT kg	NOTE
YISAR0401	846	44	802		9.5	2'500	
YISAR0402	880	44	836	800	9.5	2'650	

RIGID STRUCTURE BAR



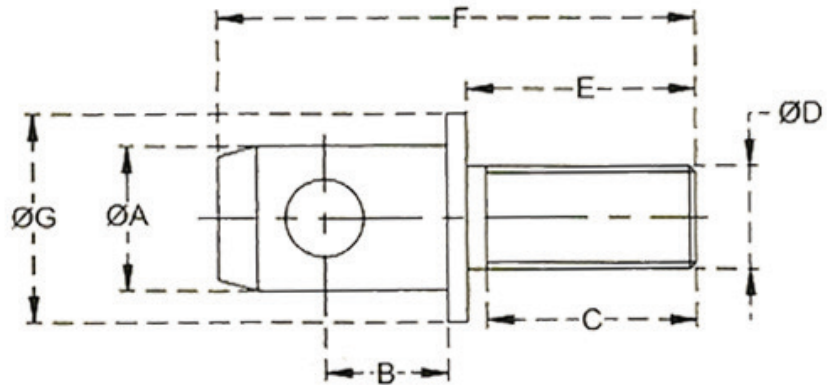
REFERENCE	DIAMETER "A" mm	DIAMETER "B" mm	DIMENSION "C" mm	MINIMUM DIMENSION "D" mm	MAXIMUM DIMENSION "D" mm	THREAD "E" inches	WEIGH T kg	NOTE
YISARA0401	20	23	584	724	889	3/4" UNF	2'360	
YISARA0402	23	23	584	724	889	3/4" UNC	2'160	
YISARA0403	23	23	584	723	914	7/8" UNF	3'020	

ADJUSTABLE SPRING SPACERS FOR LOWER ARM OR LINK



REFERENCE	CATEGORY	MINIMUM LENGTH (mm)	MAXIMUM LENGTH (mm)	GUY	WEIGHT kg	NOTE
YISSA0401	2	500	720	TO	2'000	
YISSA0402	23	600	900	B.	2'500	

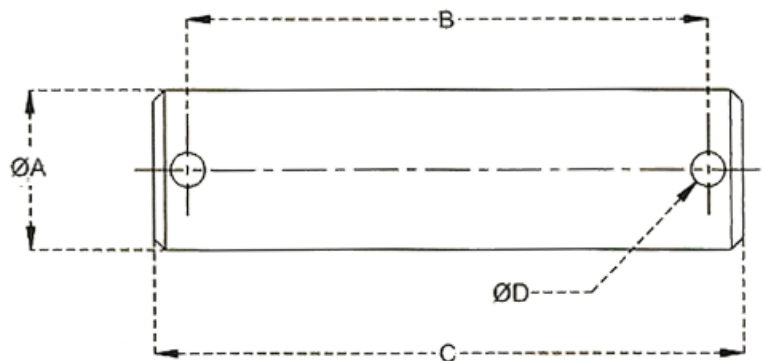
STABILIZER PIN



STABILIZER ARM PIN

REFERENCE	DIAMETER "A" mm	DIMENSION "B" mm	DIMENSION "C" mm	THREAD "D" inches	DIMENSION "E" mm	DIMENSION "F" mm	DIAMETER "G" mm	WEIGH T kg	NOT E
YISAP0401	19	19	28.6	3/4" UNF	35	73	19	0'160	
YISAP0402	22	17	28.6	5/8" UNF	32	67	15.9	0'145	
YISAP0403	22	18.7	28.6	5/8" UNF	32	73	15.9	0'175	
YISAP0404	22.2	32	28.6	5/8" UNF	32	79	15.9	0'185	

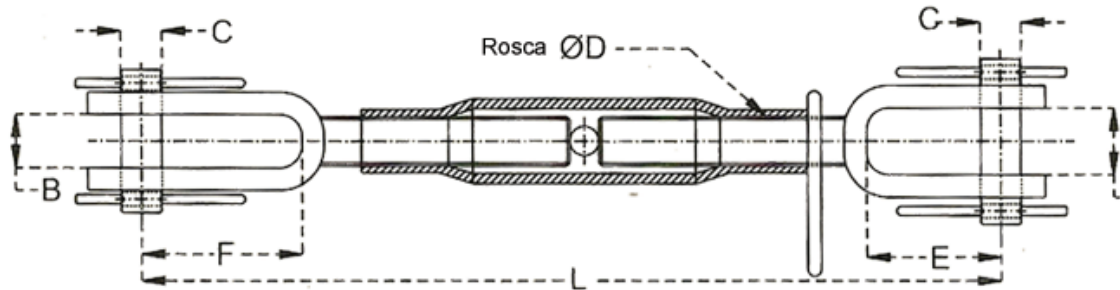
LIFTING ARM PIN



LIFT ARM PIN

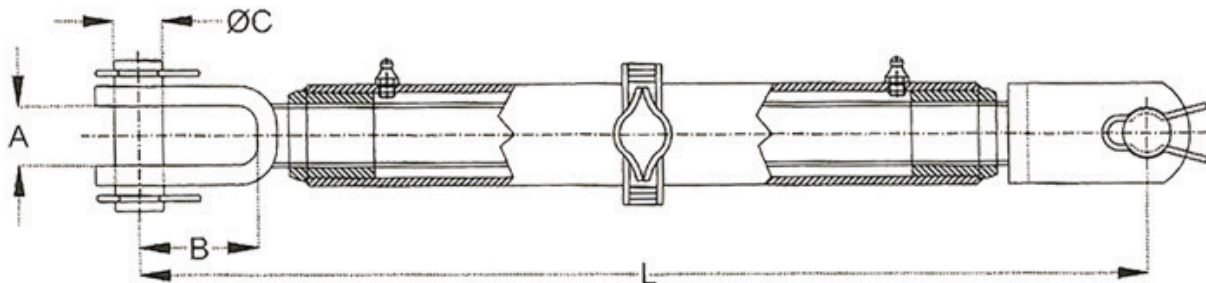
REFERENCE	DIAMETER "A" mm	DIMENSION "B" mm	DIMENSION "C" mm	DIAMETER "D" mm	WEIGHT kg	NOT E
YIALAP0501	18	52	64	6	0'120	
YIALAP0502	18	62	74	6	0'138	
YIALAP0503	18	72	84	6	0'154	
YIALAP0504	18	82	94	6	0'180	
YIALAP0505	20	58	71	6	0'170	
YIALAP0506	20	68	81	6	0'195	
YIALAP0507	22	52	64	6	0'180	
YIALAP0508	24	77	90	6	0'360	
YIALAP0509	24	91	104	6	0'354	
YIALAP0510	26	57	66	6	0'270	
YIALAP0511	28	91	104	6	0'430	

ADJUSTABLE LEVELING ARM



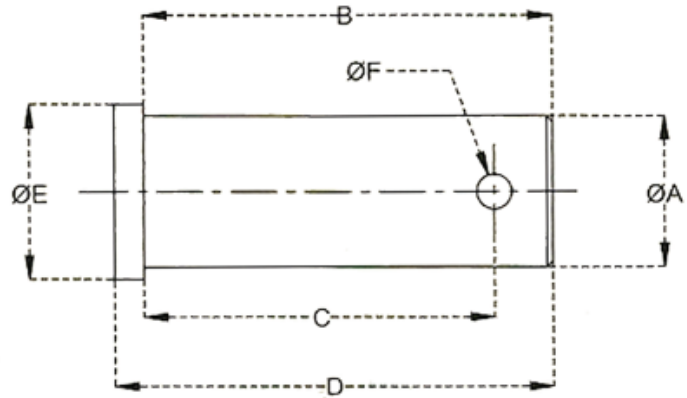
REFERENCE	DIMENSIO N "A" mm	DIMENSIO N "B" mm	DIAMETE R "C" mm	THREAD "D" mm	DIMENSIO N "E" mm	DIMENSIO N "F" mm	MINIMUM DIMENSIO N "L" mm	MAXIMUM DIMENSIO N "L" mm	WEIGHT kg
YIALA0501	30	24	18	22X2.5	60	72	380	530	3'345
YIALA0502	40	24	18	24X3	70	72	450	600	3'588
YIALA0503	40	24	18	27X3	70	72	500	650	4'015

RATCHET ADJUSTABLE ARM JACK



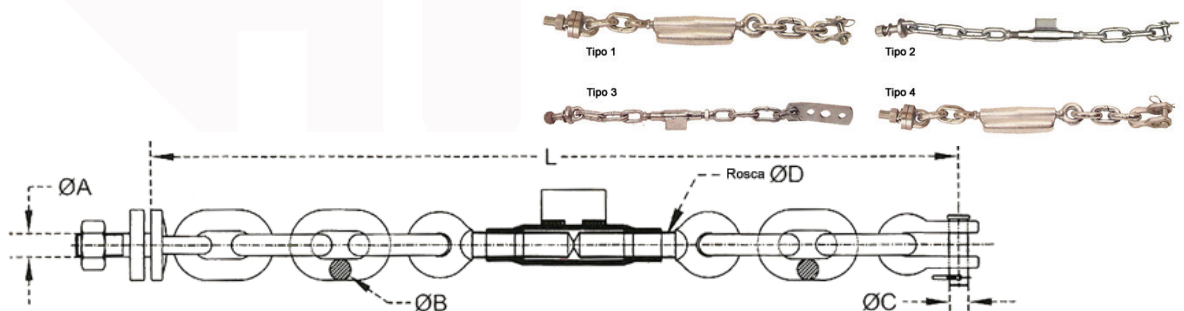
REFERENCE	DIMENSION "A" mm	DIMENSION "B" mm	DIAMETER "C" mm	MINIMUM DIMENSION "L" mm	MAXIMUM DIMENSION "L" mm	WEIGHT kg
YIALAR0501	30	60	24	510	700	6'600

SQUARE HEAD BOLT



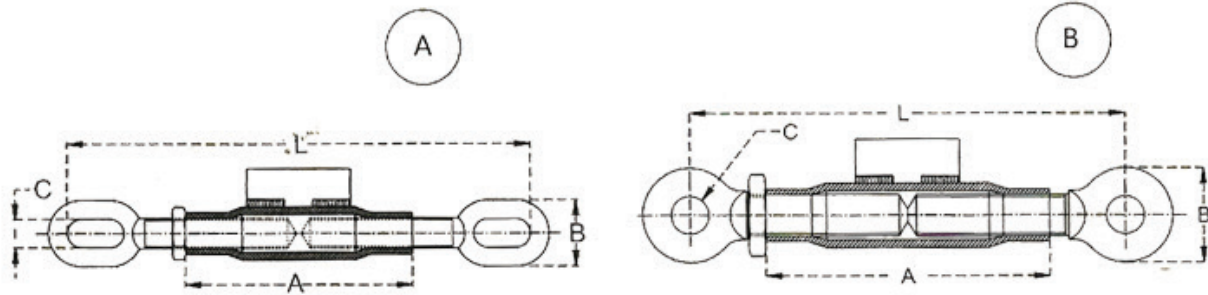
REFERENCE	DIAMETER "A" mm	DIMENSION "B" mm	DIMENSION "C" mm	DIMENSION "D" mm	DIAMETER "E" mm	DIAMETER "F" mm	WEIGH T kg	NOT E
YIALAP0521	18	47	41	52	twenty	6	0'100	
YIALAP0522	18	60	54	65	twenty	6	0'130	
YIALAP0523	26	60	52	65	30	6	0'280	
YIALAP0524	26	70	60	75	30	6	0'330	
YIALAP0525	26	95	86	100	30	6	0'400	

STABILIZER CHAINS FOR TRACTOR



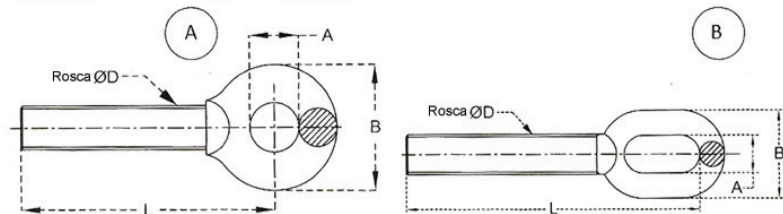
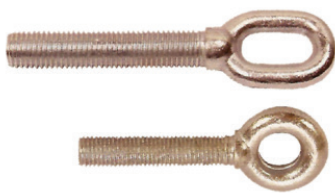
REFERENCE	GUY	NUMBER OF LINKS	DIMENSION "L"	DIAMETER "A" mm	DIAMETER "B" mm	DIAMETER "C" mm	THREAD "D" mm	WEIGHT kg
YISCA0601	1	2+2	420.00	18	12	12	16X2	2'037
YISCA0602	1	3+3	500.00	18	12	12	16X2	2'425
YISCA0603	1	4+4	580.00	18	12	12	16X2	2'813
YISCA0604	2	4+3	670.00	20	18	16	22X2.5	4'565
YISCA0605	2	2+2	515.00	20	12	14	16X2	2'498
YISCA0606	2	3+1	480.00	18	10	14	16X2	2'328
YISCA0607	2	2+2	570.00	20	12	14	20X2.5	2'765
YISCA0608	2	3+3	635.00	20	12	14	16X2	3'080
YISCA0609	2	3+3	670.00	20	12	14	20X2.5	3'250
YISCA0610	2	3+2	580.00	20	12	14	20X2.5	2'813
YISCA0611	2	1+1	460.00	20	12	14	20X2.5	2'231
YISCA0612	3	2+2	570.00	20	12	14	20X2.5	2'765
YISCA0613	3	3+2	600.00	20	12	14	20X2.5	2'910
YISCA0614	4	1+1	430.00	22	14	14 - 14	16X2	2'300
YISCA0615	4	2+1 (2+2)	520.00	22	13	14 - 14	16X2	2'750
YISCA0616	4	1+1	430.00	22	12	14 - 14	16X2	2'086

ADJUSTERS FOR STABILIZERS



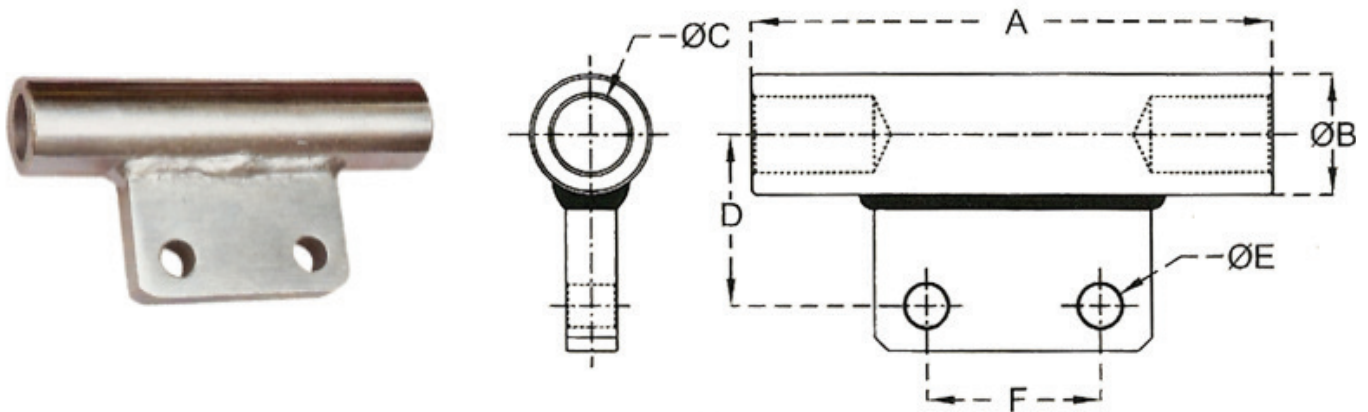
REFERENCE	MINIMUM DIMENSION "L" mm	MAXIMUM DIMENSION "L" mm	DIMENSION "A" mm	DIMENSION "B" mm	DIMENSION "C" mm	THREA D mm	GUY	WEIGHT kg
YISTB0601	245	335	120	35	14	16X2	TO	0'800
YISTB0602	250	350	135	38	14	18X2.5	TO	1'060
YISTB0603	275	370	130	38	14	20X2.5	TO	1'150
YISTB0604	280	390	150	38	14	22X2.5	TO	1'290
YISTB0605	210	300	120	46	18	16X2	B.	0'860
YISTB0606	230	330	130	46	18	20X2.5	B.	1'200
YISTB0607	250	360	150	50	20	22X2.5	B.	1'320

EYE BOLT - ROUND AND EYE TYPE



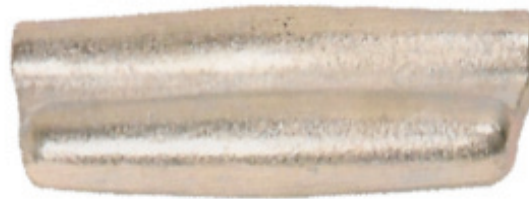
REFERENCE	DIMENSION "L" mm	DIMENSION "A" mm	DIMENSION "B" mm	THREAD mm	TYPE	WEIGHT Kgs
YISTBE0601	97	18	46	16X2R	A	0'220
YISTBE0602	97	18	46	16X2L	A	0'220
YISTBE0603	115	18	46	20X2.5R	A	0'335
YISTBE0604	115	18	46	20X2.5L	A	0'335
YISTBE0605	115	20	50	22X2.5R	A	0'370
YISTBE0606	115	20	50	22X2.5L	A	0'370
YISTBE0607	121	14	35	16X2R	B	0'185
YISTBE0608	121	14	35	16X2L	B	0'185
YISTBE0609	136	14	38	18X2.5R	B	0'270
YISTBE0610	136	14	38	18X2.5L	B	0'270
YISTBE0611	136	14	38	20X2.5R	B	0'310
YISTBE0612	136	14	38	20X2.5L	B	0'310

CAST IRON TUBE FOR CHAINS



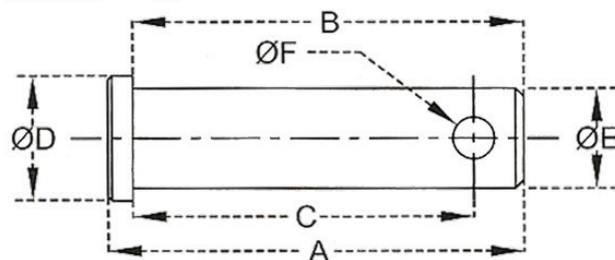
REFERENCE	DIMENSION "A" mm	DIAMETER "B" mm	DIAMETER "C" mm	DIMENSION "C" mm	DIAMETER "E" mm	DIMENSION "F" mm	WEIGHT kg
YISCTBP0601	150	35	22	49.5	12.25	50	1'320

CAST IRON TUBE FOR CHAINS



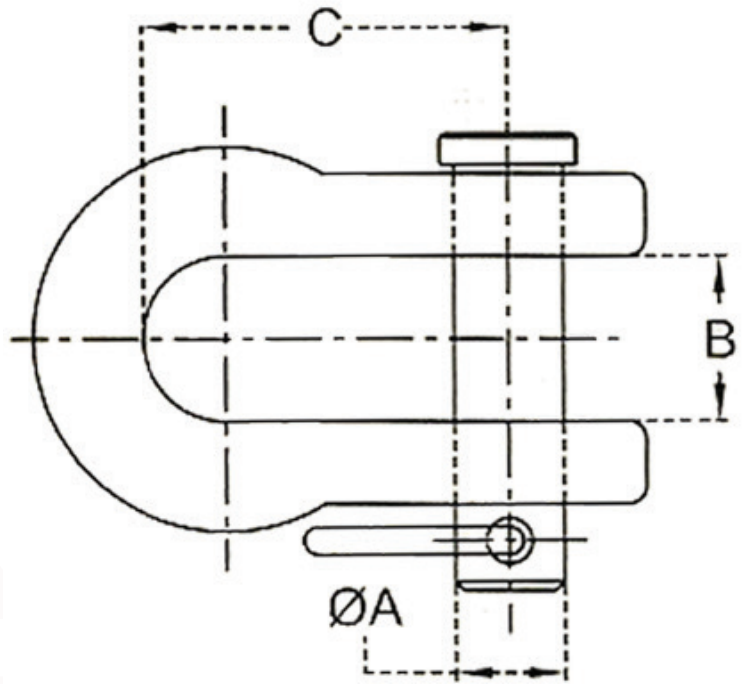
REFERENCE	THREAD mm	LENGTH (mm)	WEIGHT kg
YISCTBC0601	16X2	172	0'900

FORK BOLT



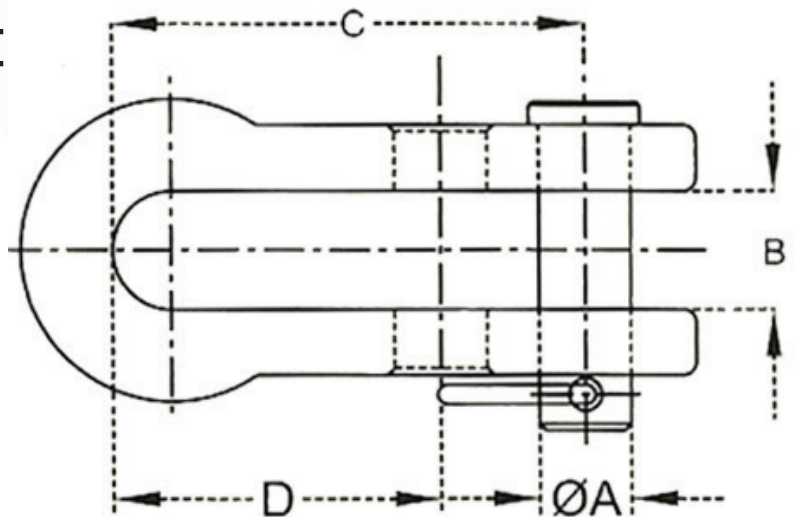
REFERENCE	DIMENSION "A" mm	DIMENSION "B" mm	DIMENSION "C" mm	DIAMETER "D"	DIAMETER "E"	DIAMETER "F"	WEIGHT kg
YISCSP0601	50	46	41	15	12	5	0'045
YISCSP0602	50	46.5	41	17	14	5	0'061
YISCSP0603	55	51.5	4.5	19	16	5	0'088

SHACKLE WITH BOLT AND PIN [TYPE D]



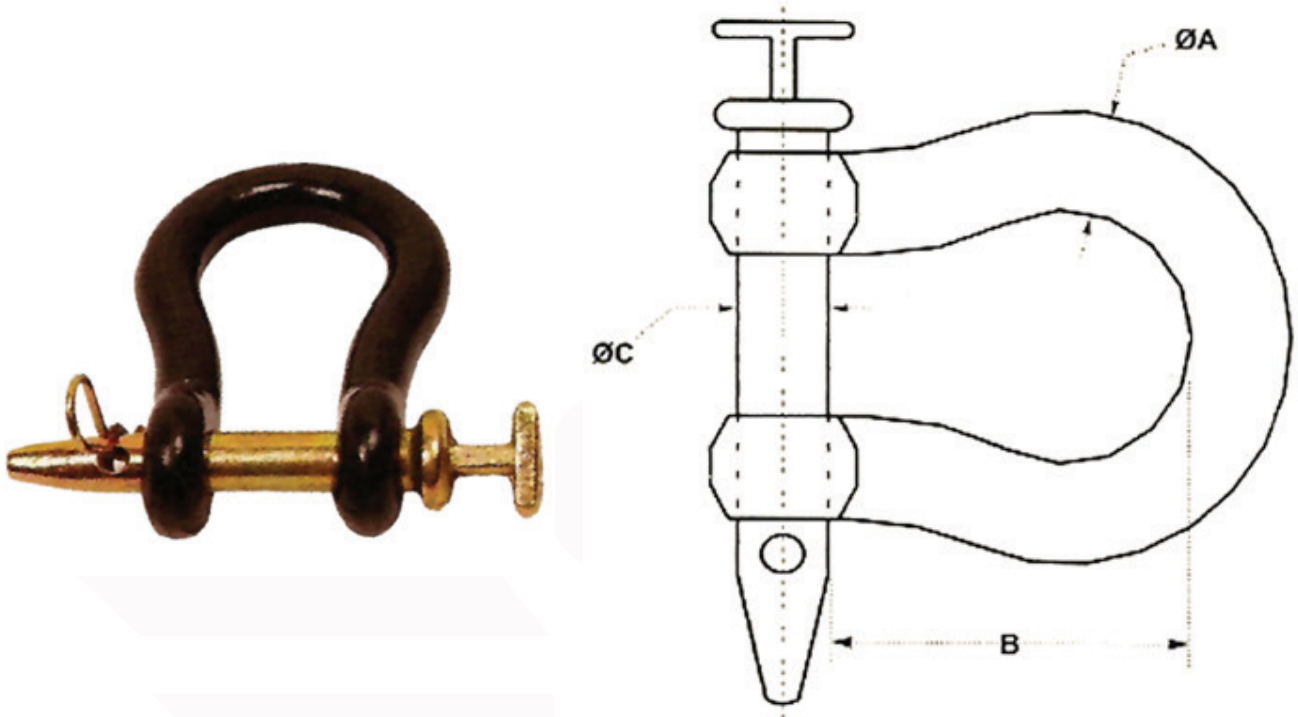
REFERENCE	DIAMETER "A" mm	DIMENSION "B" mm	DIMENSION "C" mm	MAXIMUM LOAD LIMIT Kgs	WEIGHT kg	NOT E
YISCS0601	12	18	40	850	0'200	
YISCS0602	14	18	40	850	0'200	
YISCS0603	16	20	56	950	0'305	

DOUBLE HOLE SHACKLE



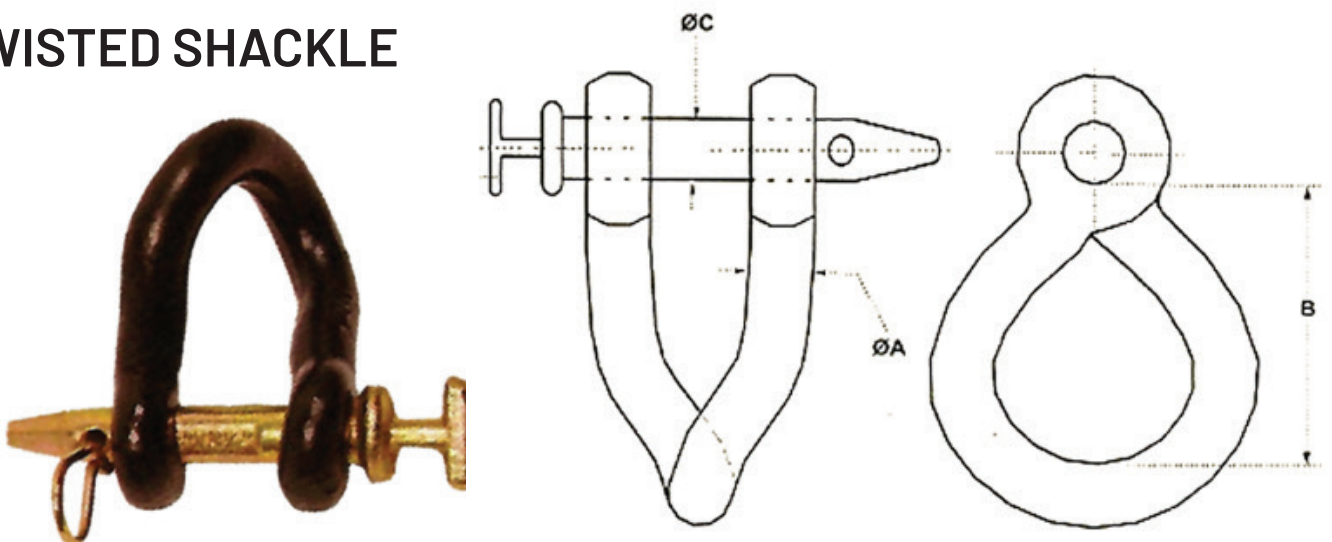
REFERENCE	DIAMETER "A" mm	DIMENSION "B" mm	DIMENSION "C" mm	DIMENSION "D" mm	MAXIMUM LOAD LIMIT Kgs	WEIGHT kg	NOT E
YISCS0611	14	17	72	50	850	0'365	

SHACKLE WITH T - BOLT



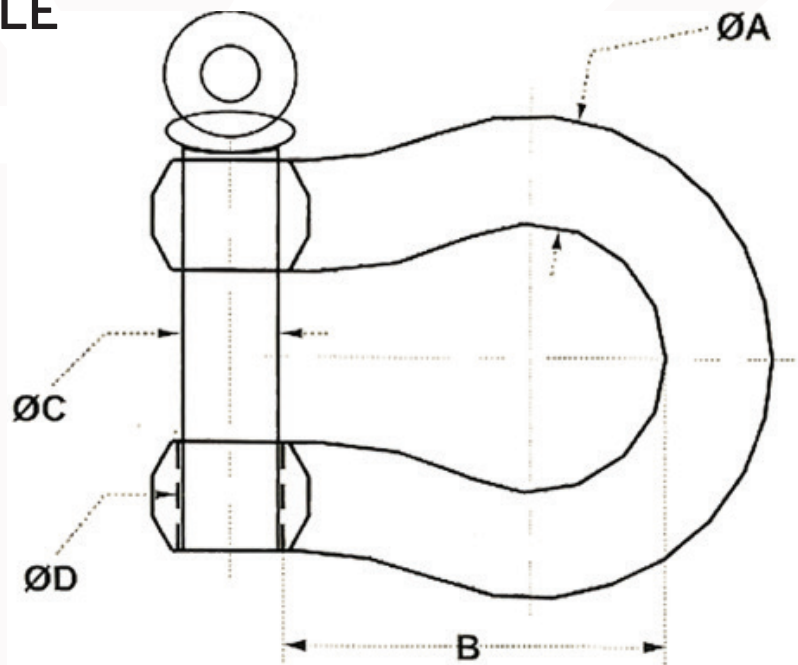
REFERENCE	DIAMETER "A" mm	DIMENSION "B" mm	DIAMETER "C" mm	WEIGHT kg	NOTE
YISHS0601	15.87	82.22	12.70	0'590	
YISHS0602	19.05	95.25	15.87	0'970	
YISHS0603	22.22	82.22	19.05	1'300	
YISHS0604	22.22	107.95	19.05	1'650	
YISHS0605	23.81	117.47	22.22	2'100	
YISHS0606	25.40	134.90	25.40	2'520	

TWISTED SHACKLE



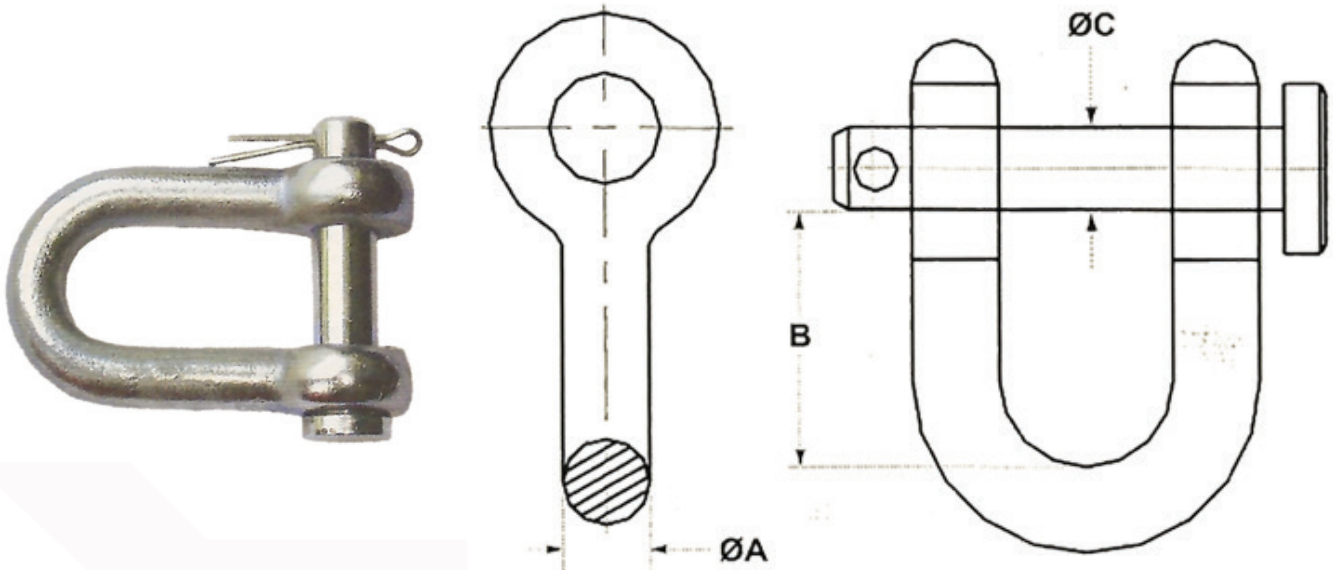
REFERENCE	DIAMETER "A" mm	DIMENSION "B" mm	DIAMETER "C" mm	WEIGHT kg	NOTE
YISHT0601	15.87	76.20	12.70	0'590	
YISHT0602	19.05	88.90	15.87	0'970	
YISHT0603	22.22	76.20	19.05	1'300	
YISHT0604	22.22	98.40	19.05	1'650	
YISHT0605	23.81	107.95	22.22	2'100	
YISHT0606	25.40	127.00	25.40	2'520	

THREADED BOLT SHACKLE



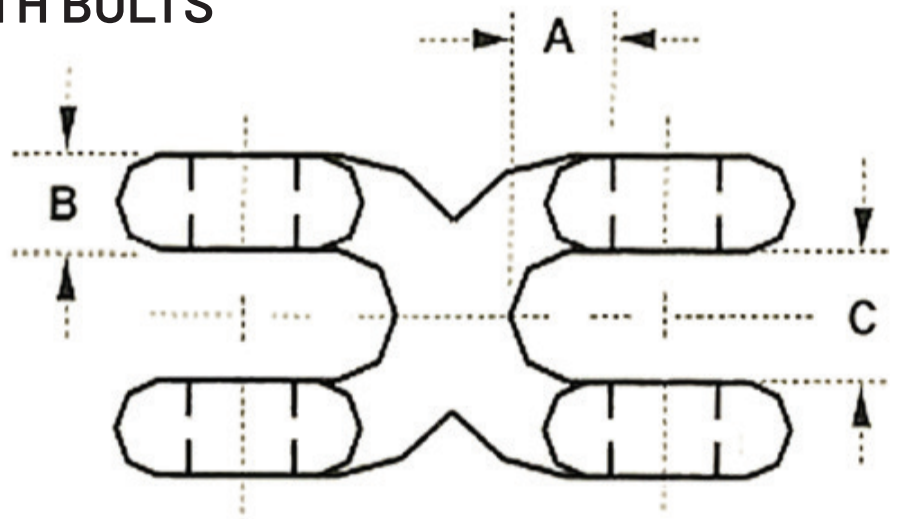
REFERENCE	DIAMETER "A" mm	DIMENSION "B" mm	DIAMETER "C" mm	THREAD	WEIGHT Kgs	NOTA
YISHSP0601	6.35	25.8	7.93	5/16" UNC	0'060	
YISHSP0602	7.93	31.75	9.52	3/8" UNC	0'100	
YISHSP0603	9.52	36.51	11.11	7/16" UNC	0'140	
YISHSP0604	11.11	42.85	12.7	1/2" UNC	0'240	
YISHSP0605	12.7	49.21	15.87	5/8" UNC	0'340	
YISHSP0606	15.87	63.5	19.05	3/4" UNC	0'500	
YISHSP0607	19.05	76.2	22.22	7/8" UNC	1'250	
YISHSP0608	22.22	82.55	25.4	1" UNC	1'630	
YISHSP0609	25.4	95	28.57	1-1/8" UNC	2'450	
YISHSP0610	28.57	107.95	31.75	1-1/4" UNC	3'180	
YISHSP0611	13.75	114.3	34.92	1-3/8" UNC	4'310	

SHACKLE WITH BOLT AND PIN



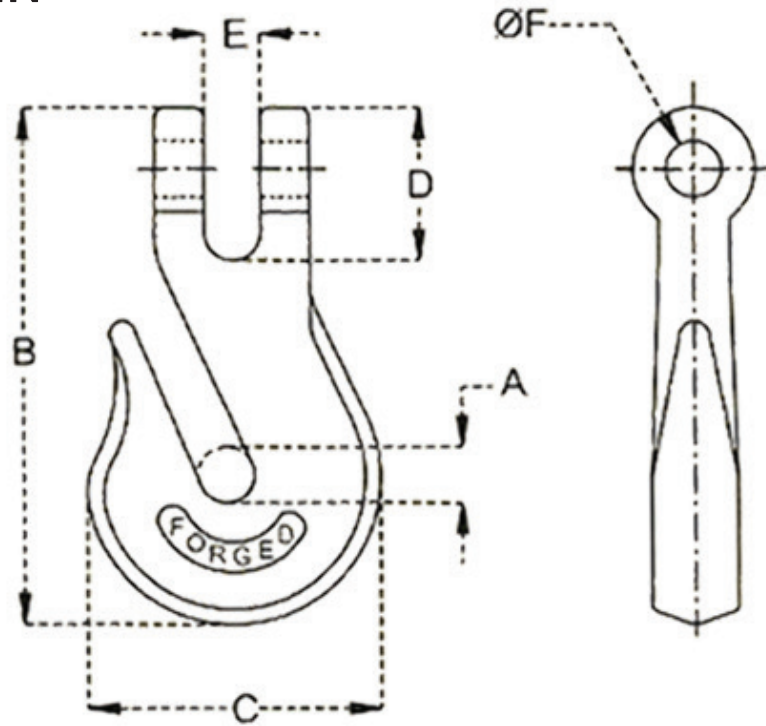
REFERENCE	DIAMETER "A" mm	DIMENSION "B" mm	DIAMETER "C" mm	WEIGHT k g	NOTE
YISHU0601	6'35	2'22	7'93	0'045	
YISHU0602	7'93	25'40	9'52	0'078	
YISHU0603	9'52	31'75	11'11	0'125	
YISHU0604	11'11	38'05	12'70	0'190	
YISHU0605	12'70	42'86	15'87	0'300	
YISHU0606	15'87	50'80	19'05	0'550	

JOINT FOR CHAIN WITH BOLTS



REFERENCE	USABLE DIMENSION "A" mm	DIMENSION "B" mm	DIMENSION "C" mm	WEIGHT kg	NOTE
YISCH0601	9.52	8.00	11.00	0'160	
YISCH0602	11.90	9.52	12.70	0'290	
YISCH0603	15.00	12.70	15.87	0'450	

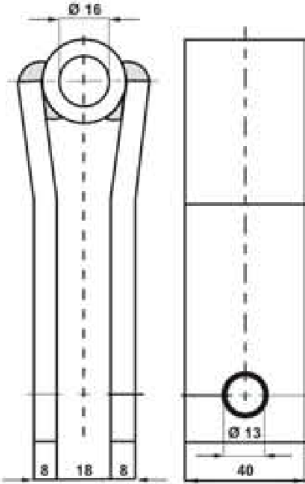
HOOK WITH BOLT AND PIN



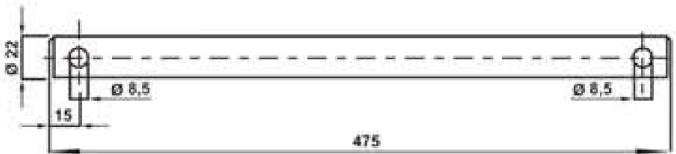
REFERENCE	DIMENSION "A" mm	DIMENSION "B" mm	DIMENSION "C" mm	DIMENSION "D" mm	DIMENSION "E" mm	DIAMETER "F" mm	MAXIMUM LOAD LIMIT Kgs	WEIGHT kg
YIHCT0601	10	85	47	26	7	9	1200	0'250
YIHCT0602	11	100	58	30	10	11	1800	0'310
YIHCT0603	14	115	65	32	13	13	2500	0'400

COMPLETE 3 - POINT LINKAGE {KUBOTA STYLE}

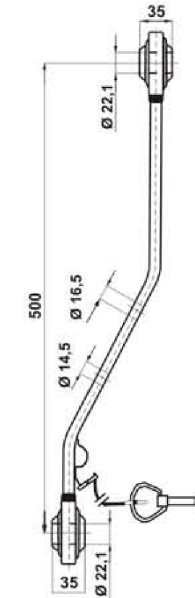
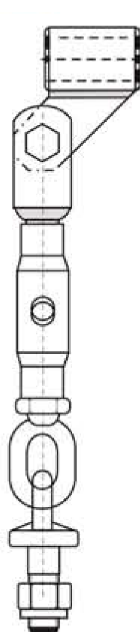
ART - 33099
FORK FOR LATERAL LIFTING ARMS



ART - 33100
ARM LINKING ROD

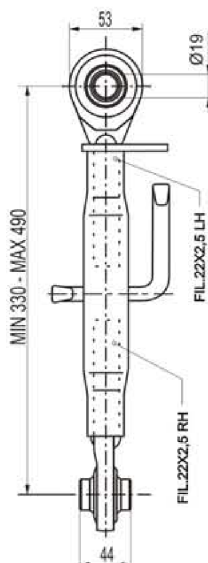
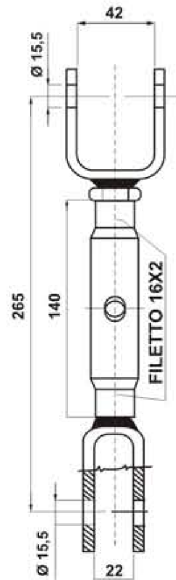


ART - 33101
CHAIN



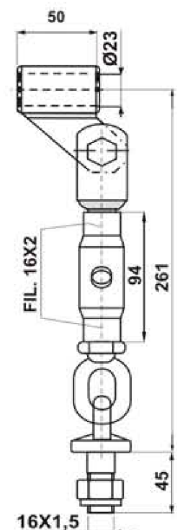
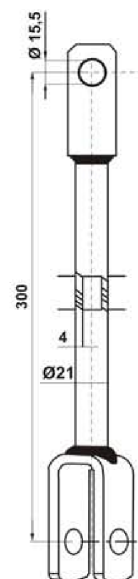
ART - 33102
BOTTOM ARM

ART - 33094
ADJUSTABLE LATERAL ARM



ART - 37344
3-POINT LINKAGE SET

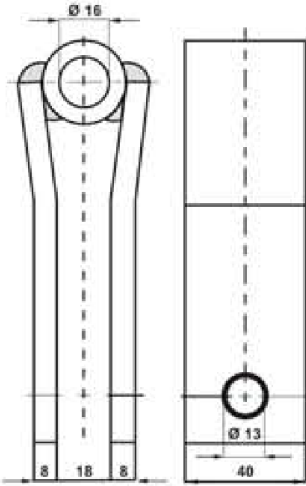
ART - 33094
FIXED LATERAL ARM



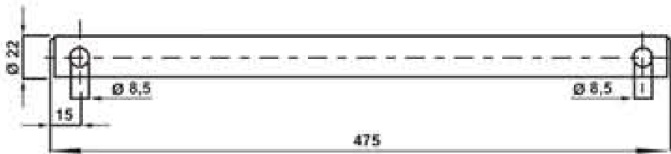
ART - 33101
CHAIN

COMPLETE 3 - POINT LINKAGE {ISEKI STYLE}

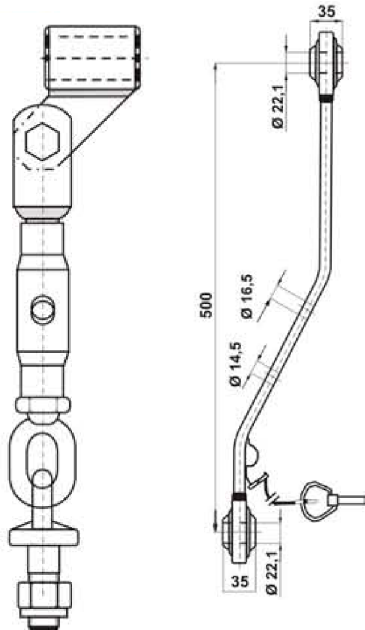
ART - 33099
FORK FOR LATERAL LIFTING ARMS



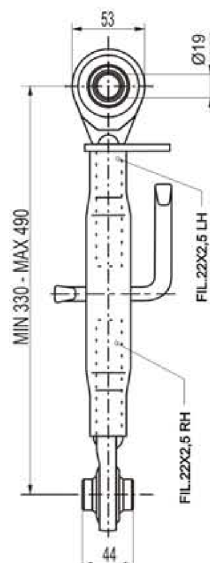
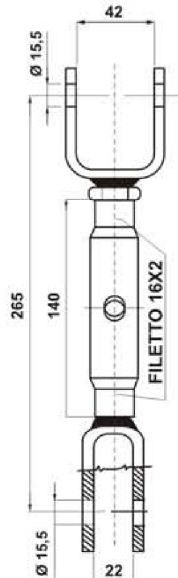
ART - 33100
ARM LINKING ROD



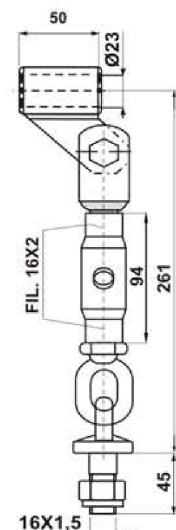
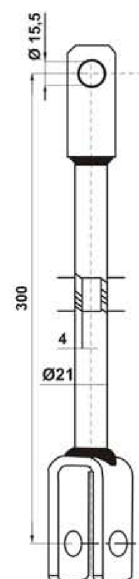
ART - 33101
CHAIN



ART - 33094
ADJUSTABLE LATERAL ARM



ART - 33094
FIXED LATERAL ARM

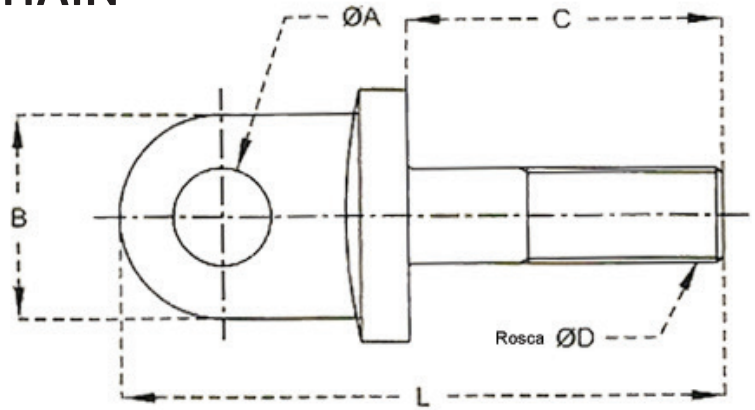


ART - 33102
BOTTOM ARM

ART - 37344
3-POINT LINKAGE SET

ART - 33101
CHAIN

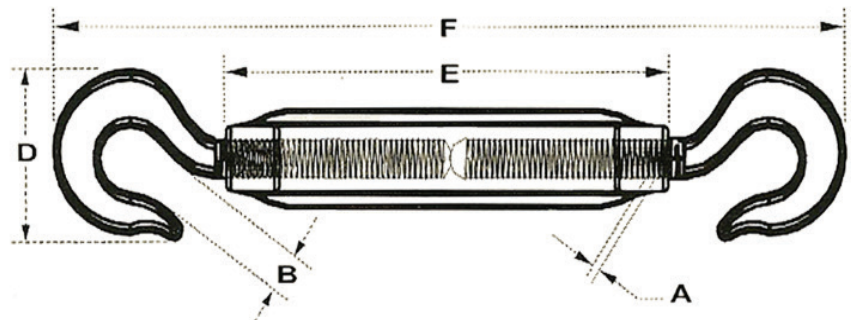
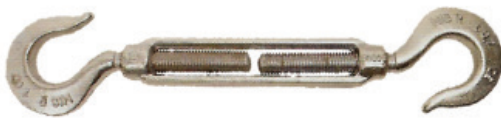
BOLT WITH EYE NUT FOR CHAIN



STABILIZER CHAIN EYE BOLT

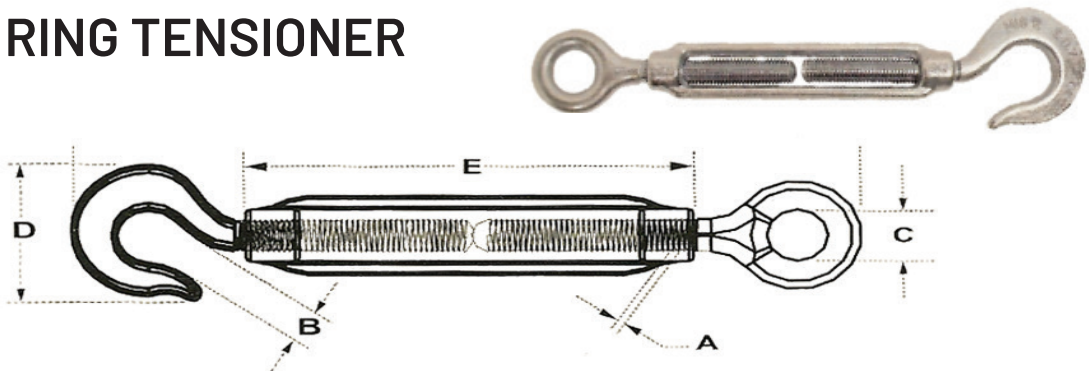
REFERENCE	DIMENSION "L" mm	DIAMETER "A" mm	DIMENSION "B" mm	DIMENSION "C" mm	THREAD mm	GUY	WEIGHT kg	NOTE
YISCEB0601	80	15	36	43	16X1.5	TO	0'230	
YISCEB0602	80	15	36	43	18X1.5	TO	0'260	
YISCEB0603	100	18	45	56	20X1.5	TO	0'240	
YISCEB0604	125	24	53	65	24X2	B.	0'700	
YISCEB0605	125	20	53	65	20X2.5	B.	0'700	

TWO HOOKS TENSIONER



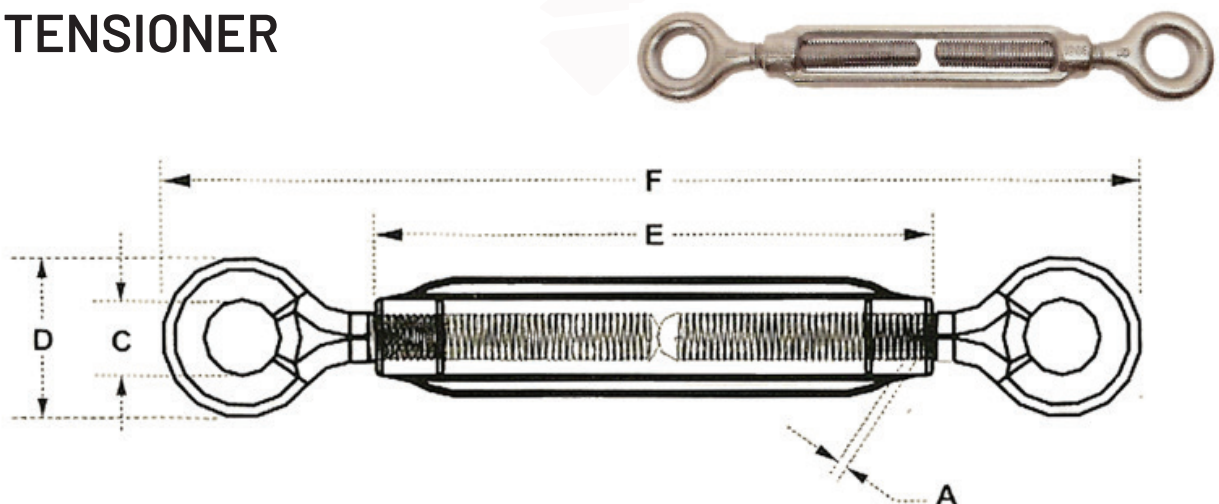
REFERENCE	DIMENSION "A" mm	DIMENSION "B" mm	DIMENSION "D" mm	DIMENSION "E" mm	DIMENSION "F" mm	DIMENSION "F" mm	LOAD LIMIT Kgs	WEIGHT kg	NOTE
YITBHH0601	M5	6	17	80	124	187	25	0'080	
YITBHH0602	M6	8	22	80	134	197	45	0'125	
YITBHH0603	M8	10	30	105	181	262	95	0'200	
YITBHH0604	M10	12.5	36	125	211	303	140	0'300	
YITBHH0605	M11	12.5	36	135	231	330	165	0'400	
YITBHH0606	M12	17.5	56	140	262	368	300	0'500	
YITBHH0607	M14	21	66	170	312	442	420	0'600	
YITBHH0608	M16	24	77	190	354	499	570	0'700	
YITBHH0609	M18	27	85	205	388	542	700	0'800	
YITBHH0610	M20	30	95	220	424	588	900	0'900	
YITBHH0611	M22	3.4	106	240	466	645	1100	1'000	
YITBHH0612	M24	36	114	260	504	696	1300	1'100	

HOOK AND RING TENSIONER



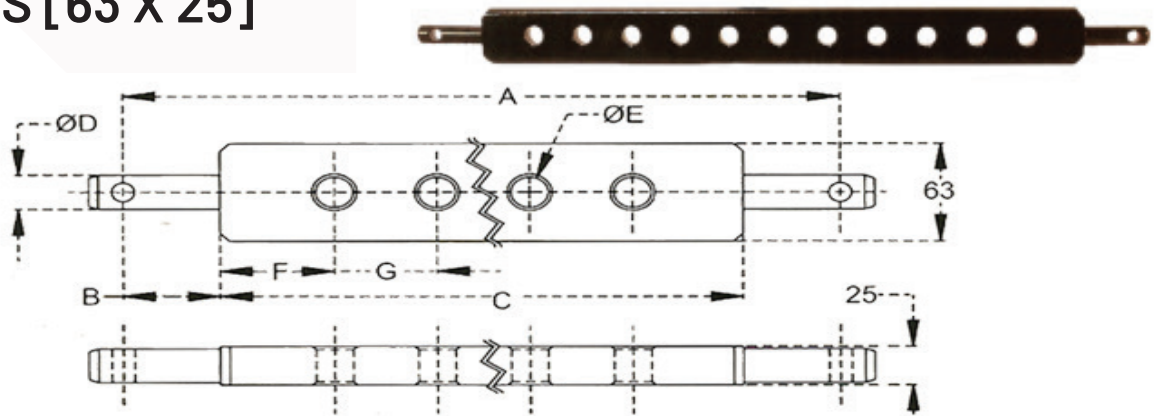
REFERENCE	DIMENSION "A" mm	DIMENSION "B" mm	DIAMETER "C" mm	DIMENSION "D" mm	DIMENSION "E" mm	MINIMUM DIMENSION "F" mm	MAXIMUM DIMENSION "F" mm	MAXIMUM LOAD LIMIT Kgs	WEIGHT kg	NOTE
YITBHE0601	M5	6	8	17	80	121	181	25	0'080	
YITBHE0602	M6	8	10	22	80	132	195	45	0'125	
YITBHE0603	M8	10	11	30	105	170	251	95	0'200	
YITBHE0604	M10	12.5	14	36	125	204	296	140	0'300	
YITBHE0605	M11	12.5	15	36	135	221	320	165	0'400	
YITBHE0606	M12	17.5	17	56	140	244	350	300	0'500	
YITBHE0607	M14	21	18	66	170	284	414	420	0'600	
YITBHE0608	M16	24	23	77	190	322	475	570	0'700	
YITBHE0609	M18	27	28	85	205	373	517	700	0'800	
YITBHE0610	M20	30	28	95	220	391	555	900	0'900	
YITBHE0611	M22	34	34	106	240	433	612	1100	1'000	
YITBHE0612	M24	36	36	114	260	470	662	1300	1'100	

RING TENSIONER



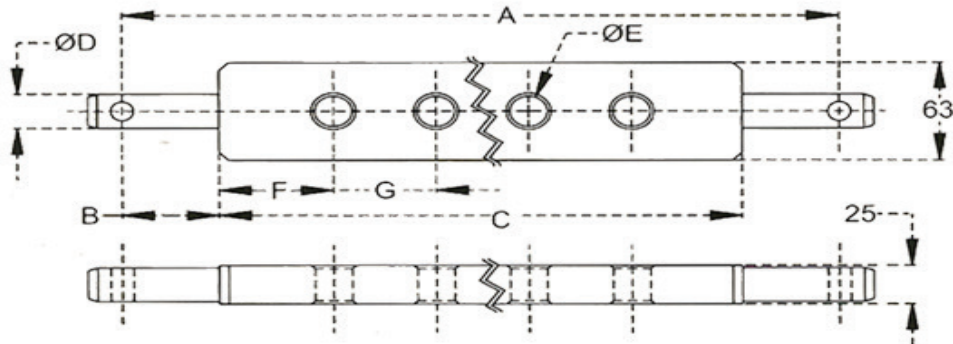
REFERENCE	DIMENSION "A" mm	DIAMETER "C" mm	DIAMETER "D" mm	DIMENSION "E" mm	MINIMUM DIMENSION "F" mm	MAXIMUM DIMENSION "F" mm	MAXIMUM LOAD LIMIT Kgs	WEIGHT kg	NOTE
YITBEE0601	M5	8	16	80	118	175	115	0'080	
YITBEE0602	M6	10	20	80	130	193	160	0'125	
YITBEE0603	M8	11	22	105	158	240	300	0'200	
YITBEE0604	M10	14	27	125	192	289	470	0'300	
YITBEE0605	M11	15	29	135	206	310	580	0'400	
YITBEE0606	M12	17	33	140	226	332	690	0'500	
YITBEE0607	M14	18	35	170	256	386	940	0'600	
YITBEE0608	M16	23	46	190	296	435	1290	0'700	
YITBEE0609	M18	28	59	205	358	512	1660	0'800	
YITBEE0610	M20	28	59	220	358	522	2130	0'900	
YITBEE0611	M22	34	70	240	400	579	2630	1'000	
YITBEE0612	M24	36	76	260	436	628	3060	1'100	
YITBEE0613	M27	38	82	270	474	668	4000	1'300	
YITBEE0614	M33	41	89	290	516	712	6040	1'500	

DRAWBARS [63 X 25]



REFERENCE	NUMBER OF HOLES	DIMENSION "A" mm	DIMENSION "B" mm	DIMENSION "C" mm	DIAMETER "D" mm	DIAMETER "E" mm	DIMENSION "F" mm	DIMENSION "G" mm	WEIGHT kg
YIDB0701	3	580	50	480	22	22	120	120	4'802
YIDB0702	4	420	57	306	22	22	66	58	2'419
YIDB0703	5	540	50	440	22	22	80	70	4'113
YIDB0704	7	610	51	508	22	22	83	57	4'742
YIDB0705	7	610	51	508	16	16	74	60	4'802
YIDB0706	7	780	54	672	22	22	97.5	80	6'716
YIDB0707	9	660	57	546	22.2	19.5	76	63.5	5'058
YIDB0708	9	775	57	661	22	22	114	54	6'329
YIDB0709	11	774	57	660	22	19	75	51	6'332
YIDB0710	11	775	57.5	660	22	22.4	75	51	6'084

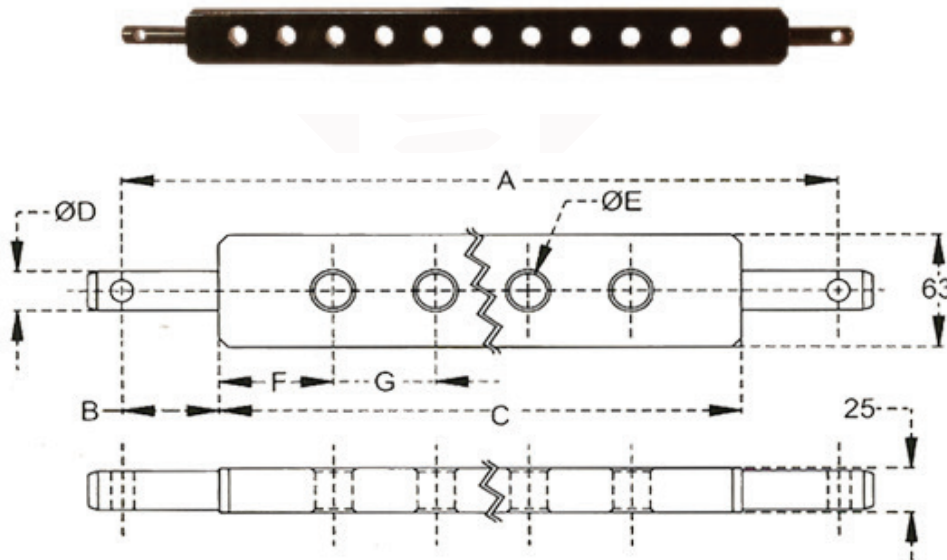
DRAWBARS [63 X 30]



REFERENCE	NUMBER OF HOLES	DIMENSION "A" mm	DIMENSION "B" mm	DIMENSION "C" mm	DIAMETER "D" mm	DIAMETER "E" mm	DIMENSION "F" mm	DIMENSION "G" mm	WEIGHT kg
YIDB0721	3	440	55	330	22	20	110	55	5'000
YIDB0722	5	505	52.5	400	22	19.5	68	66	5'860
YIDB0723	5	510	53	404	22	20	94	54	5'900
YIDB0724	5	540	70	400	28	22	70	65	6'180
YIDB0725	5	540	55	430	28	20	75	70	6'600
YIDB0726	5	570	85	400	28	22	70	65	6'320
YIDB0727	7	510	55	400	22	20	35	55	5'660
YIDB0728	7	550	53	444	22	20	113	54	6'300
YIDB0729	7	613	51	511	22	19	85	57	7'400
YIDB0730	7	648	49	550	22	20	113	54	7'900
YIDB0731	7	680	51	578	22	20	115	58	8'300
YIDB0732	7	683	49	585	22	20	82.5	70	8'400
YIDB0733	7	962	60	842	28	25	181	80	12'300
YIDB0734	7	962	60	842	28	28	181	80	12,000
YIDB0735	8	685	58	569	22	22	80	75	7'950
YIDB0736	9	620	50	520	28	28	72	47	6'800
YIDB0737	9	620	50	520	22	22	72	47	7'100
YIDB0738	9	622	50	522	22	36	71	47.5	5'750
YIDB0739	9	650	65	520	22	26	60	50	6'840
YIDB0740	9	660	70	520	28	22	70	65	7'500
YIDB0741	9	720	58	604	22	22	70	58	8'400
YIDB0742	9	750	55	640	22	19.5	64	64	9'000
YIDB0743	9	758	49	660	22	20	114	54	9'280
YIDB0744	9	762	51	660	22	20	114	54	9'300
YIDB0745	9	770	55	660	22	20	110	55	9'310
YIDB0746	9	770	55	660	28	20	110	55	9'600
YIDB0747	9	780	60	660	28	20	114	54	9'630
YIDB0748	9	796	57.5	681	22	22.2	101	60	9'500
YIDB0749	9	800	58	684	22	22	82	65	9'600
YIDB0750	9	800	70	660	28	22	114	54	9'580
YIDB0751	9	800	58	684	22	22	82	65	9'500
YIDB0752	9	800	70	660	28	22	70	65	9'600

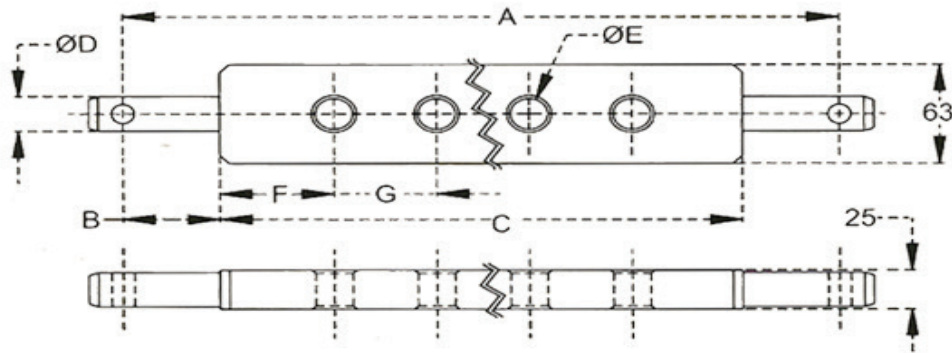
REFERENCE	NUMBER OF HOLES	DIMENSION "A" mm	DIMENSION "B" mm	DIMENSION "C" mm	DIAMETER "D" mm	DIAMETER "E" mm	DIMENSION "F" mm	DIMENSION "G" mm	WEIGHT kg
YIDB0753	9	800	58	684	22	22	126	54	9'550
YIDB0754	9	872	61	750	28	20	159	54	10'970
YIDB0755	9	900	70	760	28	22	100	70	11,000
YIDB0756	9	937	60	817	28	26	88.5	80	11'500
YIDB0757	11	764	52	660	22	22	60	54	8'900
YIDB0758	11	765	53	659	22	20	60	54	9'000
YIDB0759	11	766	60	646	28	20	60	52.6	9'200
YIDB0760	11	766	53	660	22	20	60	54	9'100
YIDB0761	11	774	57	660	22	19	75	51	9'200
YIDB0762	11	774	57	660	22	22	75	51	8'960
YIDB0763	11	780	60	660	28	22	60	54	9'250
YIDB0764	11	780	60	660	22	20	60	54	9'200
YIDB0765	11	780	60	660	28	20	60	54	9'450
YIDB0766	11	800	52	696	22	22	78	54	9'460
YIDB0767	11	800	60	680	28.4	22	70	54	9'600
YIDB0768	11	920	60	800	28	22	100	60	11'330
YIDB0769	11	930	55	820	28	22	85	65	11'600
YIDB0770	11	960	55	850	28	22	100	65	12,000

DRAWBARS [75 X 33]



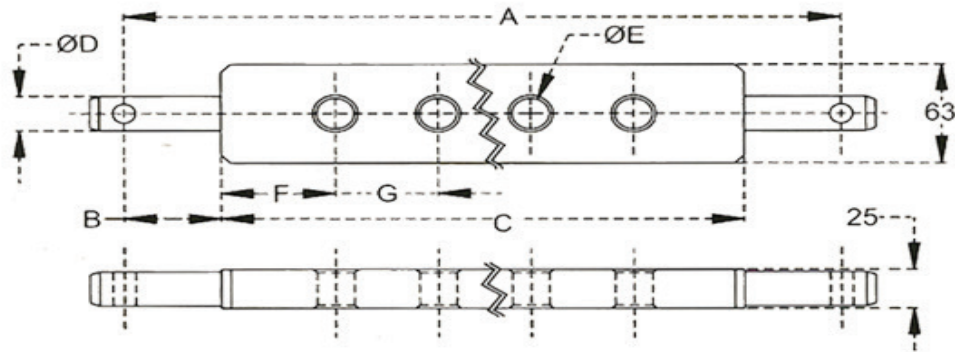
REFERENCE	NUMBER OF HOLES	DIMENSION "A" mm	DIMENSION "B" mm	DIMENSION "C" mm	DIAMETER "D" mm	DIAMETER "E" mm	DIMENSION "F" mm	DIMENSION "G" mm	WEIGHT kg
YIDB0775	7	888	55	780	28	28.5	90	100	14'450

DRAWBARS [76 X 32]



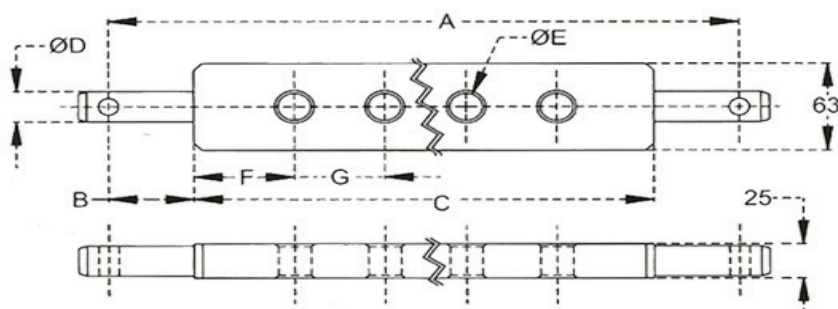
REFERENCE	NUMBER OF HOLES	DIMENSION "A" mm	DIMENSION "B" mm	DIMENSION "C" mm	DIAMETER "D" mm	DIAMETER "E" mm	DIMENSION "F" mm	DIMENSION "G" mm	WEIGHT kg	NOTE
YIDB0781	5	861	60.5	740	28.4	27	140	115	14,000	
YIDB0782	6	800	58	684	28.4	20	104.5	95	15'150	
YIDB0783	7	750	55	640	28	25.5	80	80	11'800	
YIDB0784	7	876	50	776	28	28	100	96	14'200	
YIDB0785	7	890	64	762	28	29	126	85	13'960	
YIDB0786	7	890	55	780	28	28	124	88.6	14'300	
YIDB0787	7	925	50	825	28.4	25	172.5	80	15'350	
YIDB0788	7	930	55	820	28	28	110	100	15'100	
YIDB0789	7	930	55	820	28	26	85	109	15'200	
YIDB0790	7	932	62	807	28	26	49.5	86.2	15'100	
YIDB0791	7	940	60	820	28.4	28.5	152	86	15'100	
YIDB0792	7	940	55	830	28	30(2), 26(5)	85	110	15'100	
YIDB0793	7	940	55	830	28	26	85	110	15'400	
YIDB0794	7	981	60	861	28.4	28.5	154.5	92	15'900	
YIDB0795	9	800	70	660	28	28.4	70	65	11'740	
YIDB0796	9	910	55	800	28	25.5	80	80	14'555	
YIDB0797	9	945	60	825	28	22	92.5	80	15'400	
YIDB0798	9	945	60	825	28	33	92.5	80	14'300	
YIDB0799	9	962	51	860	28.5	33	110	80	14'900	
YIDB0800	9	980	55	870	28	25.5	87	87	15'900	
YIDB0801	11	825	55	715	28	22	87.5	65	12'980	
YIDB0802	11	932	60	812	28	28	86	64	14'230	
YIDB0803	11	933	55	823	28	22	86.5	65	15'000	
YIDB0804	11	933	60	813	28	28.5	81.5	65	14'200	
YIDB0805	11	960	55	850	28	26	100	65	15'200	
YIDB0806	11	960	55	850	28	22	100	65	15'600	
YIDB0807	11	960	62	836	28	28	78	68	14'700	
YIDB0808	13	932	60	812	28	19	76	55	14'950	
YIDB0809	13	940	60	820	28	19	76	55.6	15'100	
YIDB0810	13	940	60	820	28	22.4	76	55.6	14'750	

DRAWBARS [80 X 40]



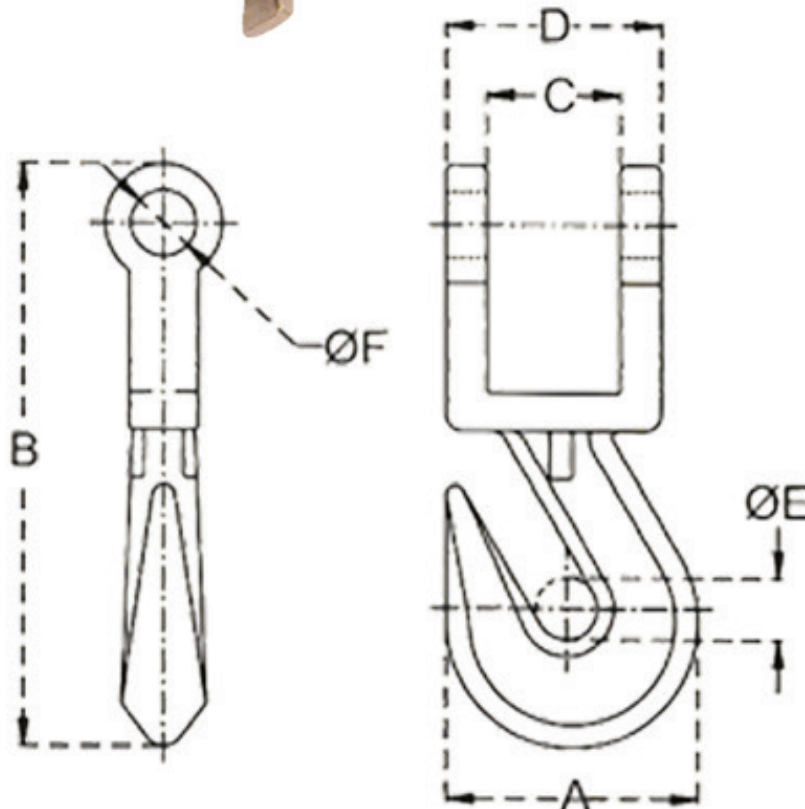
REFERENCE	NUMBER OF HOLES	DIMENSIO N "A" mm	DIMENSIO N "B" mm	DIMENSIO N "C" mm	DIAMETER "D" mm	DIAMETER "E" mm	DIMENSIO N "F" mm	DIMENSIO N "G" mm	WEIGHT kg	NOTE
YIDB07121	3	770	56	658	28.5	26.5	164.5	164.5	14,000	
YIDB07122	3	960	55	850	28	28.5	212.5	141.5	16'000	
YIDB07123	5	1000	60	880	28	28	160	140	16'250	
YIDB07124	5	1084	60	964	28.5	26	202	140	17'250	
YIDB07125	6	890	63	764	28	28	132	100	14'500	
YIDB07126	7	862	60	742	28.5	26	122	83	14'250	
YIDB07127	7	930	55	820	28	28.5	102.5	102.5	15'750	
YIDB07128	7	934	57	820	28	28	110	100	15'750	
YIDB07129	7	940	60	820	28.5	26	125	95	15'750	
YIDB07130	7	1085	60	965	36	33	152.5	110	17'250	
YIDB07131	7	1094	65	964	36	32	152	110	17'250	

DRAWBARS [90 X 45]



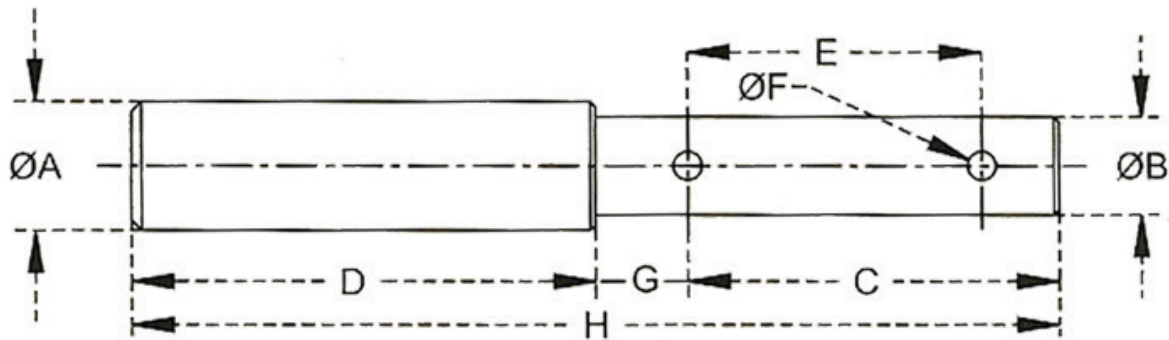
REFERENCE	NUMBER OF HOLES	DIMENSION "A" mm	DIMENSION "B" mm	DIMENSION "C" mm	DIAMETER "D" mm	DIAMETER "E" mm	DIMENSION "F" mm	DIMENSION "G" mm	WEIGHT kg	NOTE
YIDB07150	7	1094	65	964	36	16	152	110	19'000	

HITCH FOR DRAWBARS



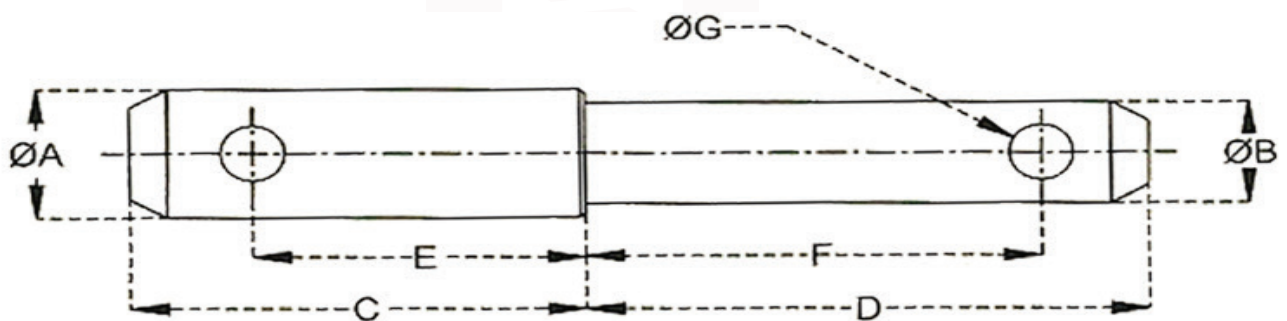
REFERENCE	DIMENSION "A" mm	DIMENSION "B" mm	DIMENSION "C" mm	DIMENSION "D" mm	DIMENSION "E" mm	DIMENSION "F" mm	MAXIMUM LOAD LIMIT Kgs	WEIGHT kg	NOTE
YIDBH0701	90	190	40	69	19	19	4300	0'650	

IMPLEMENT PINS



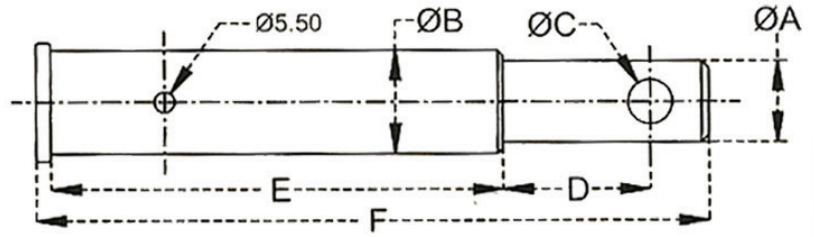
REFERENCE	DIAMETER A mm	DIAMETER B mm	DIMENSION C mm	DIMENSION D mm	DIMENSION E mm	DIAMETER F mm	DIMENSION G mm	DIMENSION H mm	WEIGHT kg	NOTE
YIIMP0801	25	19	80	80	53	5	18	160	0'480	
YIIMP0802	19	16	82	74	55	5	16.5	156	0'290	
YIIMP0803	22	16	88	80	68	5	12	168	0'370	
YIIMP0804	25	19	81	85	53	5	18	166	0'510	
YIIMP0805	25	19	90	90	57	5	18	180	0'535	
YIIMP0806	28	22	90	90	57	5	18	180	0'690	
YIIMP0807	28	22	85	90	50	6	16.5	75	0'550	
YIIMP0808	28	22	90	90	61	6	16.5	180	0'510	
YIIMP0809	32	25	95	83	62	6.5	18	178	0'870	
YIIMP0810	32	25	92	80	55	6.5	22	172	0'840	

IMPLEMENT PINS DOUBLE HOLE



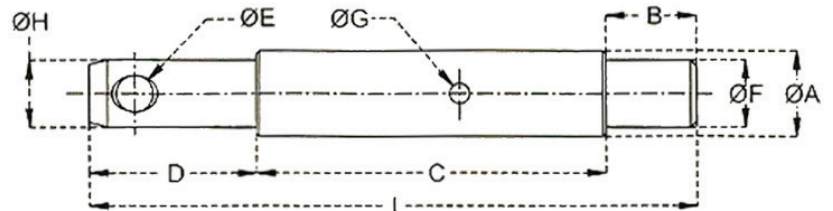
REFERENCE	DIAMETER A mm	DIAMETER B mm	DIMENSION C mm	DIMENSION D mm	DIMENSION E mm	DIAMETER F mm	DIMENSION G mm	WEIGHT kg	NOTE
YIIMP0821	28	22	62.5	84.5	47	70.5	12	0'510	
YIIMP0822	28	22	76.5	104.5	60	88	12	0'640	
YIIMP0823	28	22	85	105	62	85	12	0'666	
YIIMP0824	28	22	103	78	87.3	60	12	0'686	
YIIMP0825	28	22	120	56	92	39	12	0'621	
YIIMP0826	28.6	22	76	105	60	87.3	12	0'650	
YIIMP0827	3.4	28	61	80	43.5	62	12	0'770	

IMPLEMENT HITCH PINS



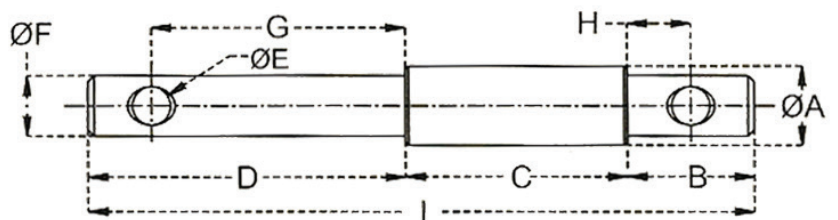
REFERENCE	DIAMETER A mm	DIAMETER B mm	DIMENSION C mm	DIMENSION D mm	DIMENSION E mm	DIAMETER F mm	WEIGHT kg
YIIMP0831	22	28	12	40	122	183	0'760
YIIMP0832	22	28	12	40	112	172	0'700

INTERCHANGABLE IMPLEMENT HITCH PINS



REFERENCE	DIAMETER A mm	DIMENSION B mm	DIMENSION C mm	DIMENSION D mm	DIAMETER E mm	DIAMETER F mm	DIAMETER G mm	DIAMETER H mm	DIMENSION I mm	WEIGHT kg
YIIMPD0801	28	30	115	55	12	22	6.5	22	200	0'780
YIIMPD0802	28	30	115	55	12	22	6.5	25	200	0'820

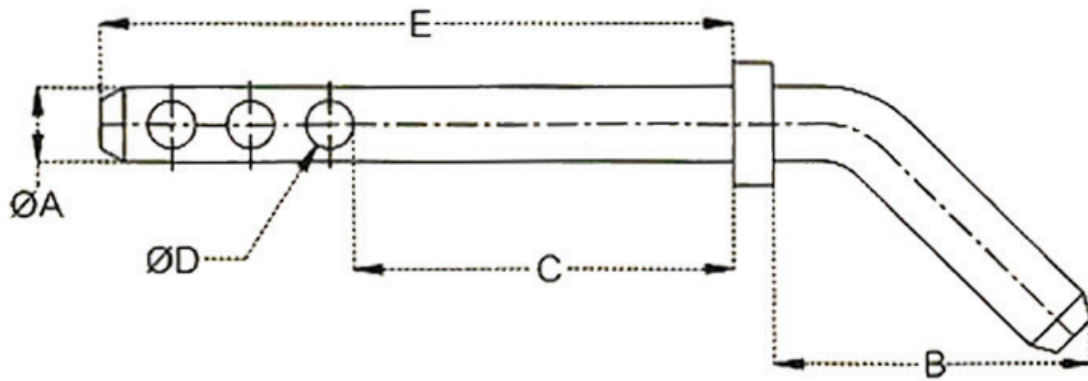
DOUBLE BOLT FOR IMPLEMENT



REFERENCE	DIAMETER A mm	DIMENSION B mm	DIMENSION C mm	DIMENSION D mm	DIAMETER E mm	DIAMETER F mm	DIMENSION G mm	DIMENSION H mm	DIMENSION I mm	WEIGHT kg
YIIMPD0811	25	40	70	100	12	19	80	20	210	0'548
YIIMPD0812	25	38	96	78	12	19	62	22	212	0'595
YIIMPD0813	25	26	66	78	6.5	19	70	18	170	0'476
YIIMPD0814	28	35	75	90	12	22	75	20	200	0'697
YIIMPD0815	28	40	70	100	12	22	80	20	210	0'718
YIIMPD0816	28	40	90	100	12	22	80	20	230	0'814
YIIMPD0817	28.6	40	89	100	12	22.2	80	20	220	0'790

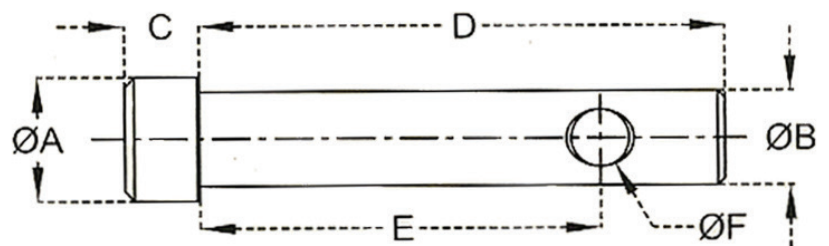
YIIMPD0818	32	40	115	95	12	25	81	26	250	1'200
YIIMPD0819	36.5	36	150	91	12	28	81	26	277	1'800
YIIMPD0820	36.5	45	150	95	12	28	80	28	290	1'860

BENT IMPLEMENT PIN



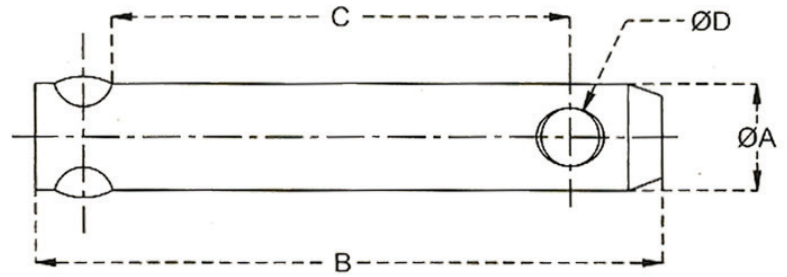
REFERENCE	DIAMETER A mm	DIMENSION B mm	DIMENSION C mm	DIAMETER D mm	DIMENSION E mm	WEIGHT kg	NOTE
YIIMPB0801	19	80	95	12	160	0'575	
YIIMPB0802	22	80	95	12	160	0'755	

WELD HITCH PIN



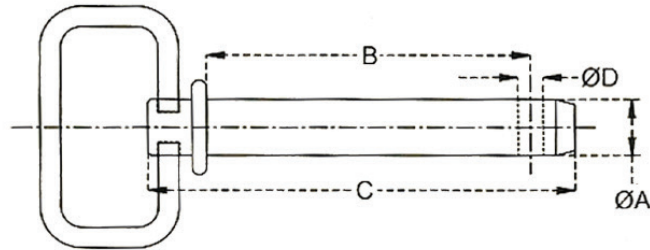
REFERENCE	DIAMETER A mm	DIAMETER B mm	DIMENSION C mm	DIMENSION D mm	DIMENSION E mm	DIAMETER F mm	WEIGHT kg	NOTE
YIWLP0801	25	19	15	105	80	11.5	0'275	
YIWLP0802	28	22	15	80	60	11.5	0'295	
YIWLP0803	32	25	15	110	85	11.5	0'495	
YIWLP0804	3.4	28	15	80	60	11.5	0'470	

KNOCHING HITCH PIN



REFERENCE	DIAMETER A mm	DIMENSION B mm	DIMENSION C mm	DIAMETER D mm	WEIGHT kg	NOTE
YIKNP0801	22	130	93	12	0'360	
YIKNP0802	28	143	100	12	0'660	

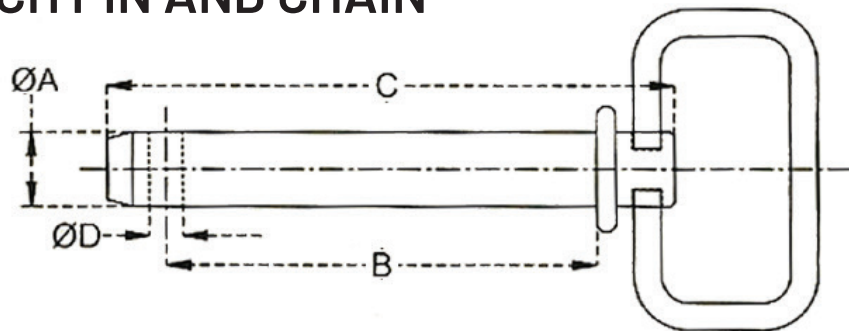
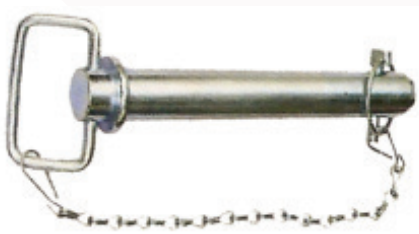
HITCH PIN WITH HANDLE AND LOCK PIN



REFERENCE	DIAMETER A mm	DIMENSION B mm	DIMENSION C mm	DIAMETER D mm	WEIGHT kg	NOTE
YIHPHP0901	9.5	104	141	3	0'091	
YIHPHP0902	9.5	110	147	3	0'094	
YIHPHP0903	12.7	92	127	4	0'152	
YIHPHP0904	12.7	105	142	3	0'158	
YIHPHP0905	12.7	110	147	4	0'172	
YIHPHP0906	12.7	148	185	3	0'201	
YIHPHP0907	12.7	162	199	4	0'224	
YIHPHP0908	15.9	105	142	3.5	0'250	
YIHPHP0909	15.9	105	136	4	0'244	
YIHPHP0910	15.9	149	186	3.5	0'319	
YIHPHP0911	16	110	147	4	0'264	
YIHPHP0912	16	162	199	4	0'346	
YIHPHP0913	19	98	130	4.5	0'332	
YIHPHP0914	19	105	142	5	0'373	
YIHPHP0915	19	110	147	4.5	0'370	
YIHPHP0916	19	157	194	4.5	0'474	
YIHPHP0917	19	162	203	4.5	0'494	
YIHPHP0918	22	110	147	5	0'503	
YIHPHP0919	22	157	194	5	0'643	
YIHPHP0920	22	162	199	5	0'658	
YIHPHP0921	22	181	218	5	0'715	
YIHPHP0922	25	103	128	5	0'566	
YIHPHP0923	25	110	147	6	0'660	
YIHPHP0924	25	110	147	5.5	0'654	
YIHPHP0925	25	157	194	6	0'842	
YIHPHP0926	25	162	199	6	0'861	

YIHPHP0927	25	181	214	6	0'919
YIHPHP0928	25	183	220	6	0'942
YIHPHP0929	25.4	118	155	6	0'712
YIHPHP0930	28	183	220	7	1'253
YIHPHP0931	28.6	162	199	6.5	1'155
YIHPHP0932	28.6	181	118	6.5	0'746
YIHPHP0933	31.75	162	199	7	1'440
YIHPHP0934	32	187	220	7	1'593

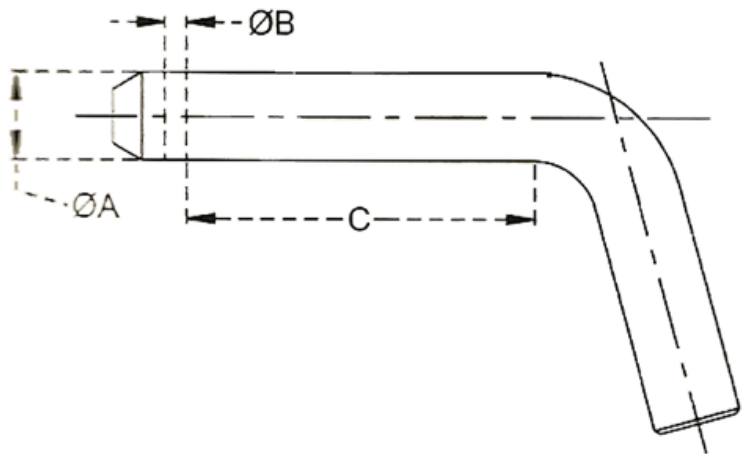
HITCH PIN WITH LYNCH PIN AND CHAIN



REFERENCE	DIAMETER A mm	DIMENSION B mm	DIMENSION C mm	DIAMETER D mm	WEIGHT kg	NOTE
YIHPLP0901	12.7	92.5	127	6.5	0'316	
YIHPLP0902	12.7	111	146	6.5	0'335	
YIHPLP0903	12.7	165	200	6.5	0'389	
YIHPLP0904	15.9	103	136	6.5	0'408	
YIHPLP0905	15.9	111	146	6.5	0'423	
YIHPLP0906	15.9	165	200	6.5	0'508	
YIHPLP0907	19	103	140	6.5	0'514	
YIHPLP0908	19	110	147	6.5	0'530	
YIHPLP0909	19	110	145	8	0'525	
YIHPLP0910	19	115	153	12	0'543	
YIHPLP0911	19	165	200	8.5	0'648	
YIHPLP0912	19	165	204	6.5	0'657	
YIHPLP0913	19	165	205	8	0'659	
YIHPLP0914	22	115	153	6.5	0'667	
YIHPLP0915	22	128.5	150	6.5	0'658	
YIHPLP0916	22	165	200	6.5	0'807	
YIHPLP0917	22	165	205	10	0'822	
YIHPLP0918	25	165	205	10	1'009	
YIHPLP0919	25	165	204	6.5	1'005	
YIHPLP0920	25	189	227	12	1'094	
YIHPLP0921	28	100	127	12	0'843	
YIHPLP0922	28	120	160	10	1'002	

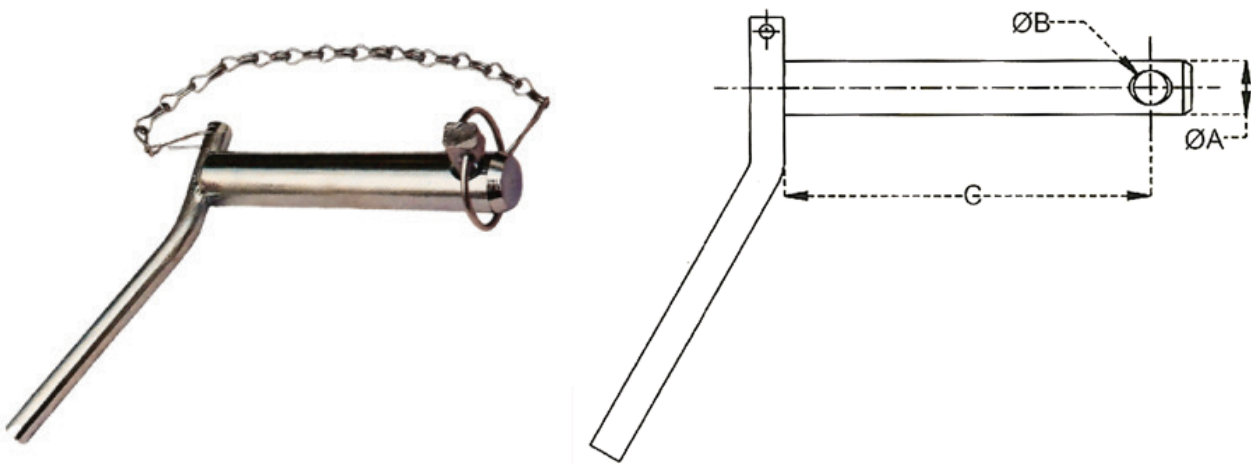
REFERENCE	DIAMETER A mm	DIMENSION B mm	DIMENSION C mm	DIAMETER D mm	WEIGHT kg	NO
YIHPLP0923	28	165	196	12	1'176	
YIHPLP0924	28	165	204	6.5	1'215	
YIHPLP0925	28	190.5	228	6.5	1'331	
YIHPLP0926	28	165	200	6.5	1'196	
YIHPLP0927	28	165	205	10	1'220	
YIHPLP0928	28	189	228	12	1'331	
YIHPLP0929	30	183	221	12	1'463	
YIHPLP0930	31.75	162	204	6.5	1'511	
YIHPLP0931	31.75	189	227	12	1'654	
YIHPLP0932	32	165	200	10	1'507	
YIHPLP0933	32	190.5	228	6.5	1'684	
YIHPLP0934	35	189	227	12	1'971	
YIHPLP0935	38	187	227	12	2'292	

BENT HITCH PIN WITH LOCK PIN



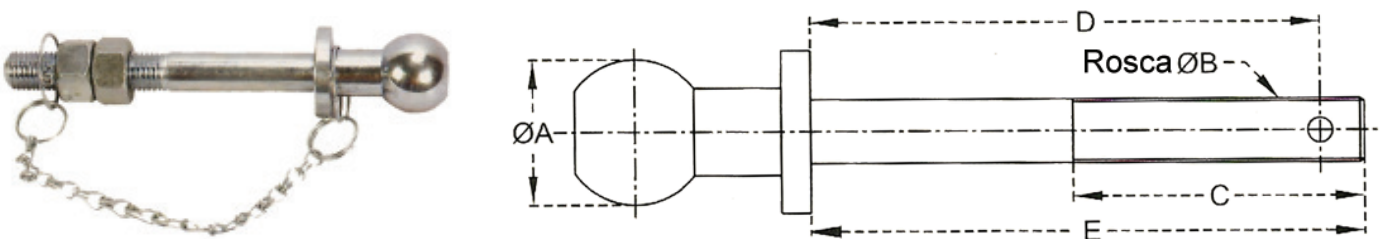
REFERENCE	DIAMETER A mm	DIAMETER B mm	DIMENSION C mm	WEIGHT kg	NOTE
YIHPB0901	12.7	4.75	76.2	0'150	
YIHPB0902	15.87	4.75	76.2	0'250	
YIHPB0903	19.05	4.75	88.9	0'360	

HITCH PIN WITH HANDLE , LYNCH PIN AND CHAIN



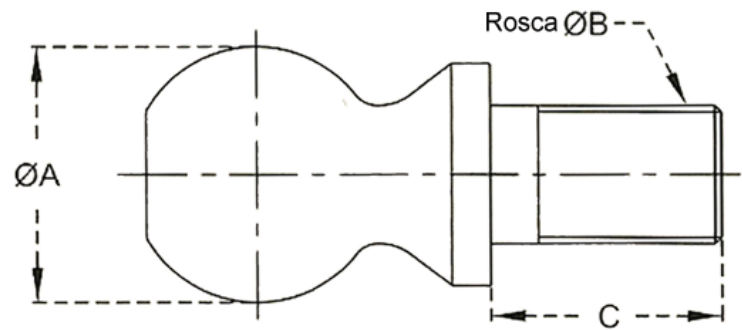
REFERENCE	DIAMETER A mm	DIAMETER B mm	DIMENSION C mm	WEIGHT kg	NOTE
YIBHHPLP0901	19	12	123	0'565	
YIBHHPLP0902	19	12	130	0'595	
YIBHHPLP0903	19	12	135	0'615	
YIBHHPLP0904	19	12	175	0'720	
YIBHHPLP0905	22	12	123	0'680	
YIBHHPLP0906	22	12	130	0'715	
YIBHHPLP0907	22	12	135	0'740	
YIBHHPLP0908	22	12	175	0'830	
YIBHHPLP0909	25	12	123	0'784	
YIBHHPLP0910	25	12	130	0'825	
YIBHHPLP0911	25	12	135	0'854	
YIBHHPLP0912	25	12	175	1'010	
YIBHHPLP0913	28	12	123	0'917	
YIBHHPLP0914	28	12	130	0'965	
YIBHHPLP0915	28	12	135	0'935	
YIBHHPLP0916	28	12	175	1'190	
YIBHHPLP0917	32	12	175	1'470	

TOWING BALL WITH PIN AND CHAIN



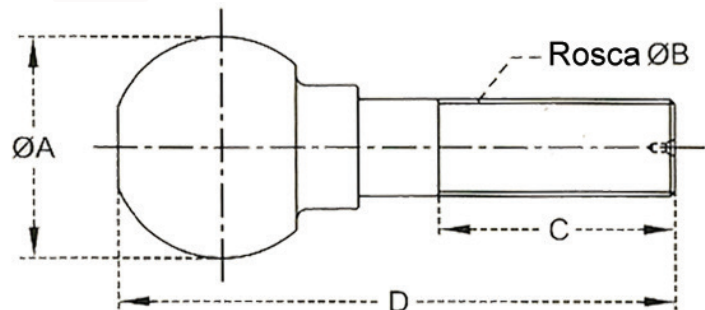
REFERENCE	DIAMETER A mm	THREAD DIAMETER B INCHES	DIMENSION C mm	DIMENSION D mm	DIMENSION E mm	WEIGHT kg	NOTE
TOBP1001	50	7/8"	100	162	190	1'500	
TOBP1002	50	1"	100	162	190	1'650	

HITCH BALL



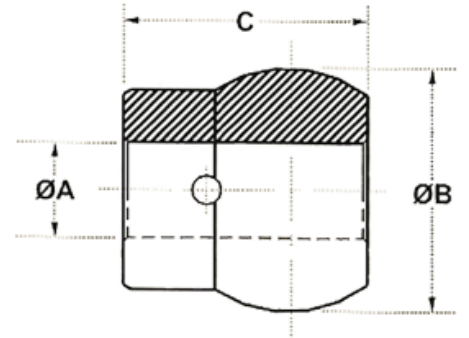
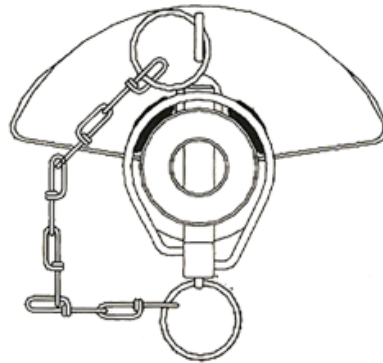
REFERENCE	DIAMETER A mm	THREAD DIAMETER B INCHES	DIMENSION C mm	MAXIMUM LOAD LIMIT Kgs	WEIGHT kg
YITOB1001	47'80	3/4" 16UNF	54	900	0'800
YITOB1002	50'80	3/4" 16UNF	54	1600	0'885
YITOB1003	50'80	1" 12UNF	54	2300	1'100
YITOB1004	58'68	1-1/4" 12UNF	54	3400	1'700

HITCH BALL TYPE 2



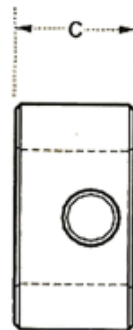
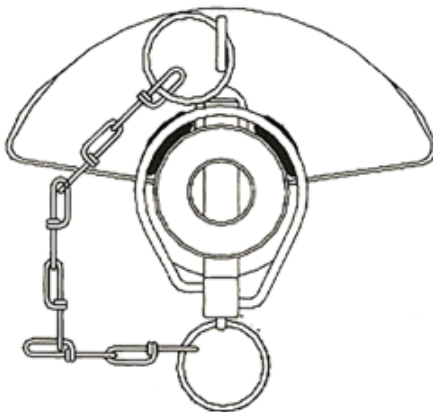
REFERENCE	DIAMETER A mm	THREAD DIAMETER B mm	DIMENSION C mm	DIMENSION D mm	MAXIMUM LOAD LIMIT Kgs	WEIGHT kg	NOTE
YITOB1011	50	M 22x1.5	53	125	3500	0'910	

GUIDE CONE BALL WITH LYNCH AND CHAIN



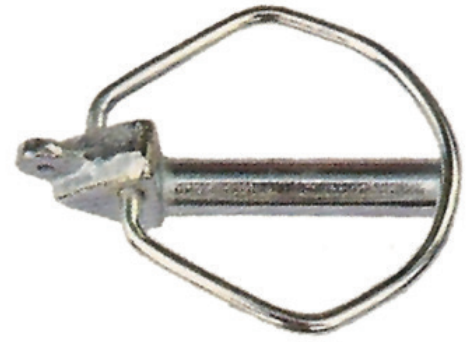
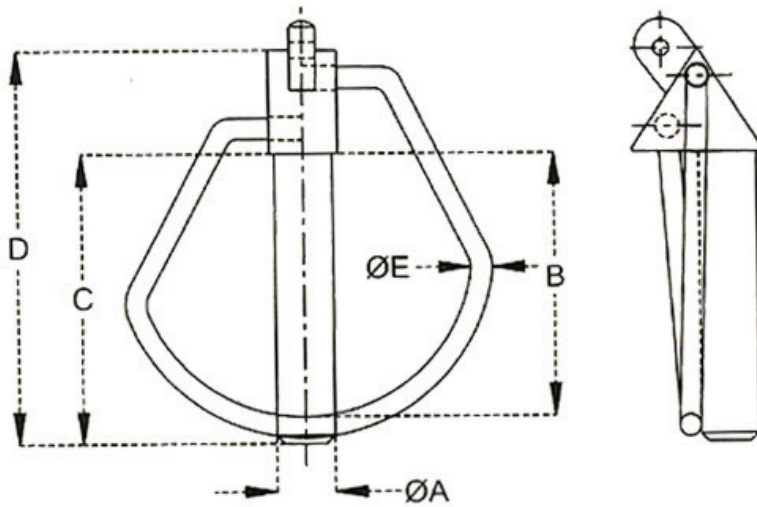
REFERENCE	DIAMETER A mm	DIAMETER B mm	DIMENSION C mm	WEIGHT kg	NOTE
YIGCB1001	28'40	56	69	0'990	
YIGCB1002	37'60	56	68	1'050	
YIGCB1003	28'40	64	72	1'250	
YIGCB1004	37	64	72	1'250	

GUIDE CONE BALL WITH LYNCH AND CHAIN [2]



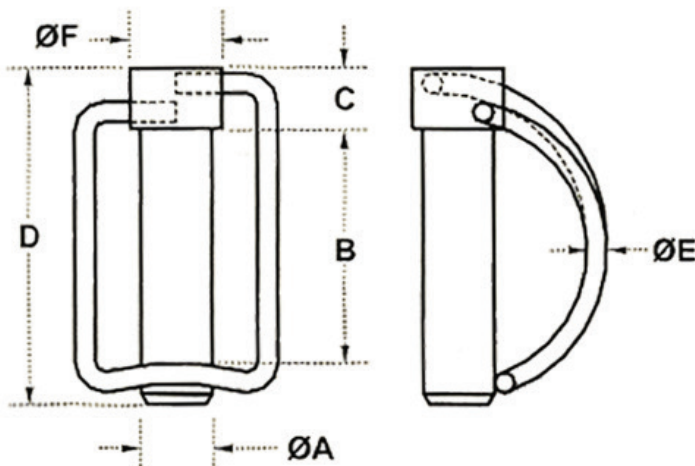
REFERENCE	DIAMETER A mm	DIAMETER B mm	DIMENSION C mm	WEIGHT kg	NOTE
YIGCB1011	28'40	47	25	0'560	
YIGCB1012	37'70	47	25	0'520	

LYNCH PIN WITH FOLDING RING



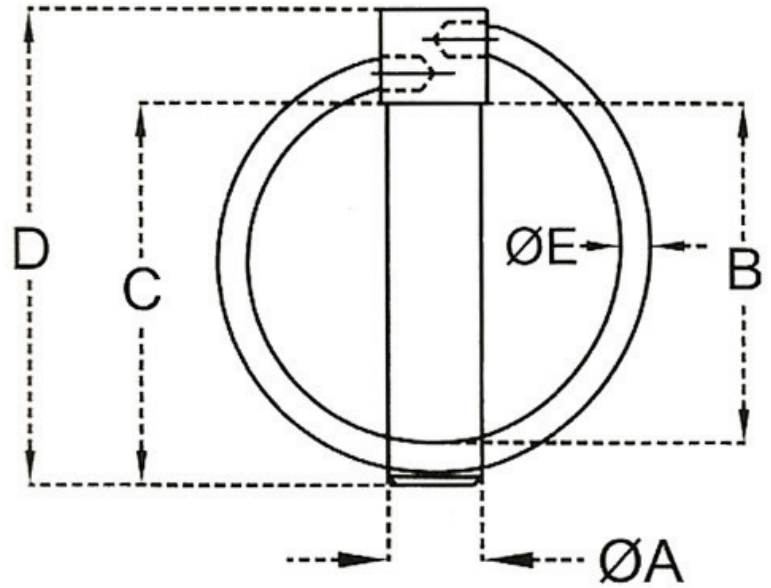
REFERENCE	DIAMETER A mm	DIMENSION B mm	DIMENSION C mm	DIMENSION D mm	DIAMETER E mm	WEIGHT kg	NOTE
YILCPF1101	11	48	52	70	4	0'095	
YILCPF1102	15	48	60	82	4	0'165	

SQUARE HEAD PIN



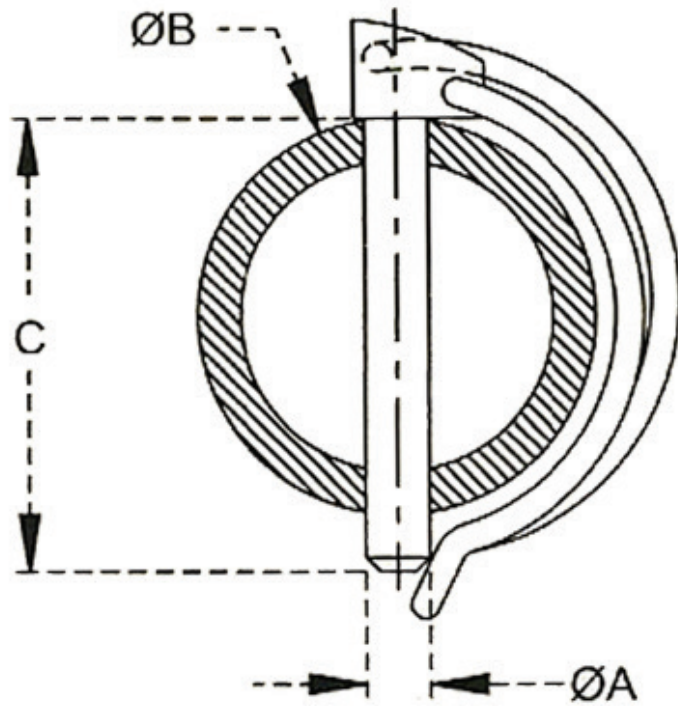
REFERENCE	DIAMETER A mm	DIMENSION B mm	DIMENSION C mm	DIMENSION D mm	DIAMETER E mm	DIMENSION F mm	WEIGHT kg	NOTE
YILCPS1101	14	47	12	67	4	18	0'145	
YILCPS1102	16	57	13	70	4	20	0'186	
YILCPS1103	19	60	15	90	5	25	0'300	

LYNCH PIN WITH ROUND RING



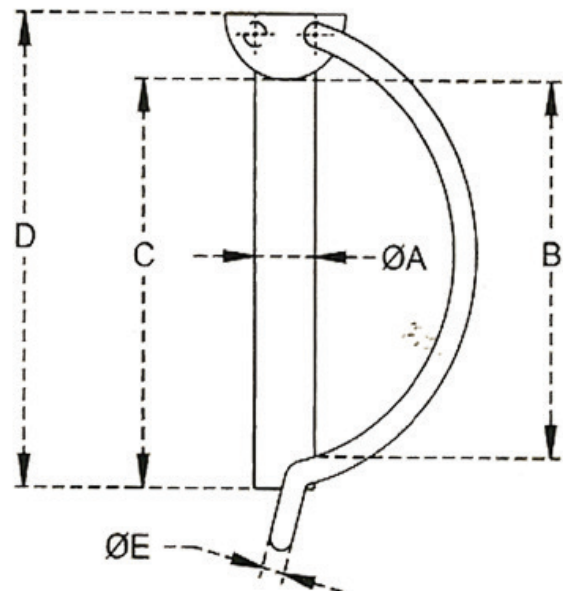
REFERENE	DIAMETER A mm	DIMENSION B mm	DIMENSION C mm	DIMENSION D mm	DIAMETER E mm	WEIGH NOT TKgs E
YILCPR1101	4.5	29	35	45	2.5	0'080
YILCPR1102	4.5	33	42	51	3	0'085
YILCPR1103	4.76	28.6	35	44	3	0'090
YILCPR1104	5	35	40	48	2.5	0'095
YILCPR1105	6	33	40	49	3.3	0'100
YILCPR1106	6	36.5	45	55	3	0'105
YILCPR1107H D	6	36.5	45	54	3.7 Negro / Black	0'110
YILCPR1108	6.35	36.5	45	54	3.2	0'115
YILCPR1109	7	36.5	45	55	3.3	0'120
YILCPR1110	8	33	40	49	3.3	0'125
YILCPR1111	8	36.5	45	54	3	0'130
YILCPR1112	8	39	60	69	3.6	0'135
YILCPR1113	8	60	70	80	3.5	0'140
YILCPR1114	9	33	40	50	3.3	0'145
YILCPR1115	9	36.5	45	55	3.5	0'150
YILCPR1116	9	63	70	81	3.5	0'155
YILCPR1117	9.5	36	45	56	3.3	0'160
YILCPR1118	9.5	39	51	62	3.3	0'165
YILCPR1119	10	33	40	51	3.5	0'170
YILCPR1120	10	36.5	45	56	3.5	0'175
YILCPR1121	10	40	45	56	3.5	0'180
YILCPR1122	11	39	51	61	3.5	0'185
YILCPR1123	11	39	51	66	4.5	0'190
YILCPR1124HD	11	39	51	61	4.5 Negro / Black	0'195
YILCPR1125	11	40	45	56	3.5	0'200
YILCPR1126	12	36.5	45	56	3.5	0'205

SAFETY PIN



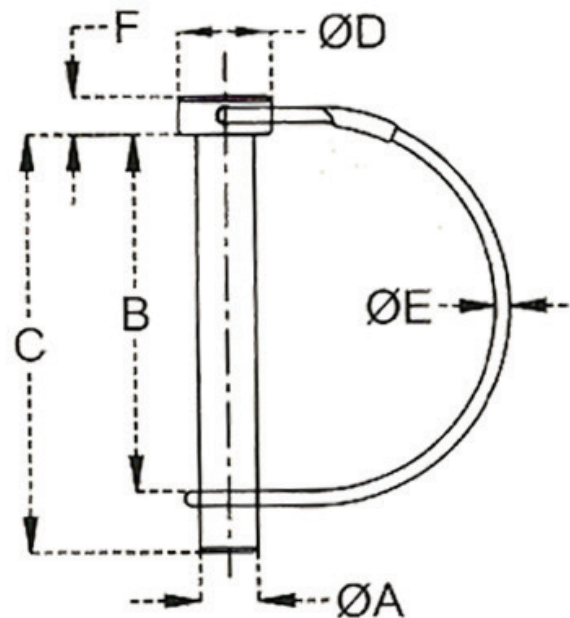
REFERENCE	DIAMETER A mm	DIAMETER B mm	DIAMETER C mm	WEIGHT kg	NOTE
YIPLCP1101	4.5	28	32	0'085	
YIPLCP1102	6	36	40	0'090	
YIPLCP1103	8	3. 4	38	0'110	
YIPLCP1104	8	40	45	0'125	
YIPLCP1105	8	55	60	0'135	
YIPLCP1106	10	45	50	0'135	
YIPLCP1107	10	55	60	0'150	

PRESSED HEAD SAFETY PIN



REFERENCE	DIAMETER A mm	DIMENSION B mm	DIMENSION C mm	DIMENSION D mm	DIAMETER mm	WEIGHT Kgs	NOTE
YIPLCP1111	7	34	33	39	2.5	0'110	
YIPLCP1112	7	38	37	43	2.7	0'120	
YIPLCP1113	7	42	41	47	2.7	0'130	
YIPLCP1114	8	34	33	39	2.5	0'140	
YIPLCP1115	8	38	37	43	2.7	0'145	
YIPLCP1116	8	42	41	47	2.7	0'150	
YIPLCP1117	8	46	45	51	3	0'155	
YIPLCP1118	10	34	33	39	2.5	0'165	
YIPLCP1119	10	38	37	43	2.7	0'170	
YIPLCP1120	10	42	41	47	2.7	0'175	
YIPLCP1121	10	46	45	51	3	0'180	

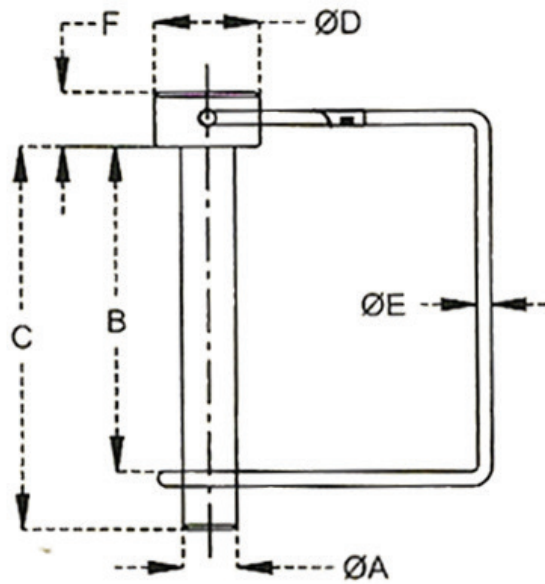
PIN WITH SAFETY LOCK



PIN WITH SAFETY LOCK

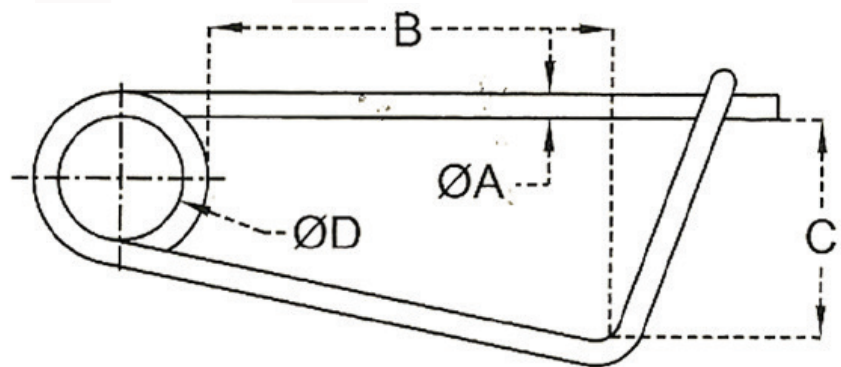
REFERENCE	DIAMETER A mm	DIMENSION B mm	DIMENSION C mm	DIAMETER D mm	DIAMETER E mm	DIMENSION F mm	WEIGHT kg
YIPTPR1201	6	50	60	12	2.5	6	0'048
YIPTPR1202	6	57	67	12	2.5	6	0'051
YIPTPR1203	7	54	50	16	2.5	6	0'038
YIPTPR1204	8	38	45	14	2.5	7	0'040
YIPTPR1205	8	60	73	15	2.5	7	0'047
YIPTPR1206	9.5	57	67	16	2.5	10	0'067
YIPTPR1207	10	38	45	15	2.5	7	0'045
YIPTPR1208	10	60	70	19	2.5	10	0'080
YIPTPR1209	11	45	55	19	2.5	10	0'065
YIPTPR1210	11	89	99	19	2.5	10	0'115
YIPTPR1211	12	67	75	20	2.5	10	0'090
YIPTPR1212	12	70	90	18	2.5	7	0'110

SQUARE SAFETY LOCK PIN



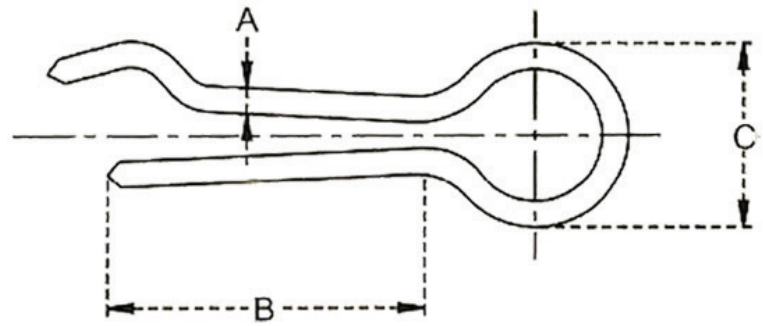
REFERENCE	DIAMETER "A" mm	DIMENSION "B" mm	DIMENSION "C" mm	DIAMETER "D" mm	DIAMETER "E" mm	DIMENSION "F" mm	WEIGHT kg	NOTE
YIPTPS1201	6	57	67	12	2.5	6	0'040	
YIPTPS1202	6.35	63.5	70	12	2.5	6	0'035	
YIPTPS1203	6.35	76	84	12.5	2.5	6	0'040	
YIPTPS1204	8	63	70	15	2.5	7	0'050	
YIPTPS1205	9.5	57	67	18.5	2.5	9.5	0'083	
YIPTPS1206	10	85	90	18	2.5	8	0'085	
YIPTPS1207	12	67	75	20	2.5	10	0'110	

SAFETY SPRING



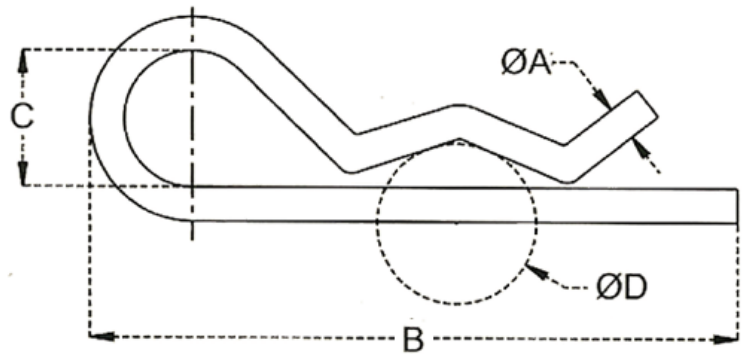
REFERENCE	DIAMETER "A" mm	DIMENSION "B" mm	DIMENSION "C" mm	DIAMETER "D" mm	WEIGHT kg	NOTE
YISFP1201	3	60	35	20	0'018	
YISFP1202	4	100	55	33	0'058	
YISFP1203	5	90	42	31	0'070	
YISFP1204	6	100	50	30	0'120	

A SHAPE PIN



REFERENCE	DIMENSION "A" mm	DIMENSION "B" mm	DIMENSION "C" mm	WEIGHT kg	NOTE
YICLIP1301	3x1.5	38	17	0'053	
YICLIP1302	5x2.5	56	57	0'215	

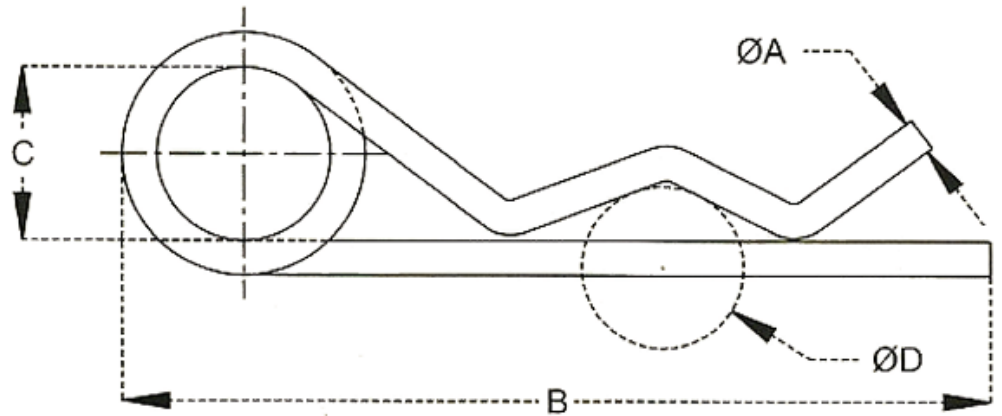
R PIN



REFERENCE	DIAMETER "A" mm	DIMENSION "B" mm	DIMENSION "C" mm	DIAMETER "D" mm	WEIGHT kg	NOTE
YIHRPS1301	1.8	35	6.5	6 to 8	0'001	
YIHRPS1302	2	44	11	10 to 12	0'002	
YIHRPS1303	2	50	12	10 to 12	0'002	
YIHRPS1304	2	57	13	10 to 12	0'002	
YIHRPS1305	2.5	46	13	10 to 13	0'003	
YIHRPS1306	2.5	58	14	10 to 13	0'004	
YIHRPS1307	3	52	14	12 to 16	0'005	
YIHRPS1308	3	61	18	12 to 16	0'006	
YIHRPS1309	3	65	13	12 to 16	0'007	
YIHRPS1310	3	70	13	12 to 16	0'007	

REFERENCE	DIAMETER "A" mm	DIMENSION "B" mm	DIMENSION "C" mm	DIAMETER "D" mm	WEIGHT kg	NOT E
YIHRPS1311	3	85	13	12 to 16	0'009	
YIHRPS1312	3.5	71	18	16 to 23	0'010	
YIHRPS1313	3.5	80	18	15 to 21	0'012	
YIHRPS1314	3.5	84	18	16 to 30	0'012	
YIHRPS1315	4	76	18	16 to 30	0'015	
YIHRPS1316	4	83	18	16 to 30	0'016	
YIHRPS1317	4	88	18	16 to 30	0'017	
YIHRPS1318	4	100	22	20 to 30	0'019	
YIHRPS1319	4	108	18	14 to 20	0'021	
YIHRPS1320	4.5	83	20	20 to 30	0'020	
YIHRPS1321	4.5	90	20	16 to 30	0'022	
YIHRPS1322	4.5	93	20	20 to 30	0'023	
YIHRPS1323	5	100	24	20 to 35	0'030	
YIHRPS1324	5	106	24	20 to 35	0'037	
YIHRPS1325	5	120	3. 4	20 to 30	0'037	
YIHRPS1326	6	103	30	28 to 45	0'045	
YIHRPS1327	6	103	30	28 to 45	0'045	
YIHRPS1328	6	114	24	28 to 45	0'050	
YIHRPS1329	6	120	30	28 to 45	0'053	
YIHRPS1330	6	130	30	28 to 45	0'057	
YIHRPS1331	7	115	45	30 to 45	0'069	
YIHRPS1332	7	115	25	25 to 38	0'069	
YIHRPS1333	7	160	32	30 to 45	0'097	
YIHRPS1334	7	163	32	30 to 45	0'098	
YIHRPS1335	8	98	52	30 to 45	0'077	
YIHRPS1336	8	98	39	30 to 45	0'077	
YIHRPS1337	8	156	39	45 to 60	0'123	

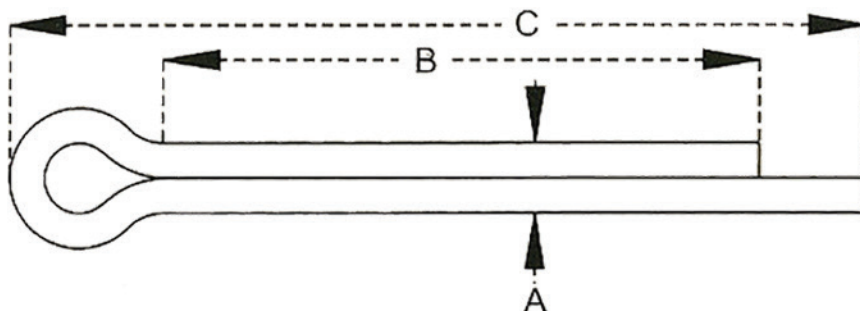
DOUBLE- R PIN



DOUBLE R PINS

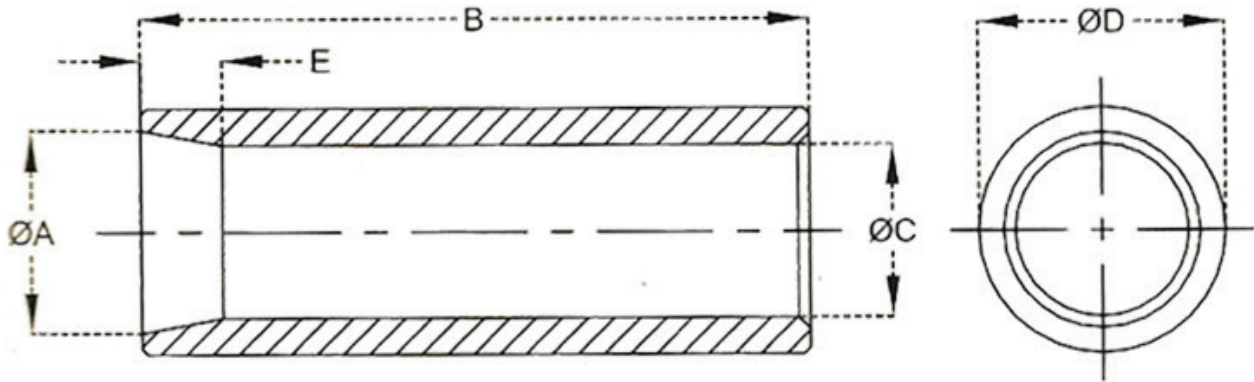
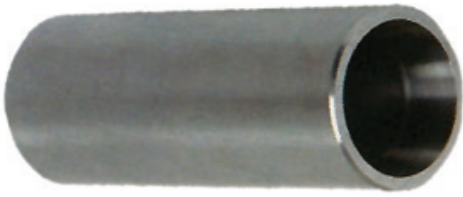
REFERENCE	DIAMETER "A" mm	DIMENSION "B" mm	DIMENSION "C" mm	DIAMETER "D" mm	WEIGHT kg	NOT E
YIHRPD1301	2	65	9	10 to 12	0'004	
YIHRPD1302	3	76	18	10 to 19	0'012	
YIHRPD1303	3.5	88	20	12 to 16	0'020	
YIHRPD1304	4	77	18	16 to 30	0'022	
YIHRPD1305	4	99	22	17 to 25	0'029	
YIHRPD1306	4	98	22	16 to 30	0'029	
YIHRPD1307	5	112	26	24 to 35	0'051	
YIHRPD1308	5	116	22	17 to 28	0'053	
YIHRPD1309	5	200	22	25 to 32	0'092	
YIHRPD1310	6	120	30	28 to 45	0'080	
YIHRPD1311	6	150	30	28 to 45	0'100	
YIHRPD1312	7	162	30	30 to 45	0'149	
YIHRPD1313	8	162	4.5	45 to 60	0'191	
YIHRPD1314	10	162	4.5	45 to 60	0'299	

COTTER LOCK PIN



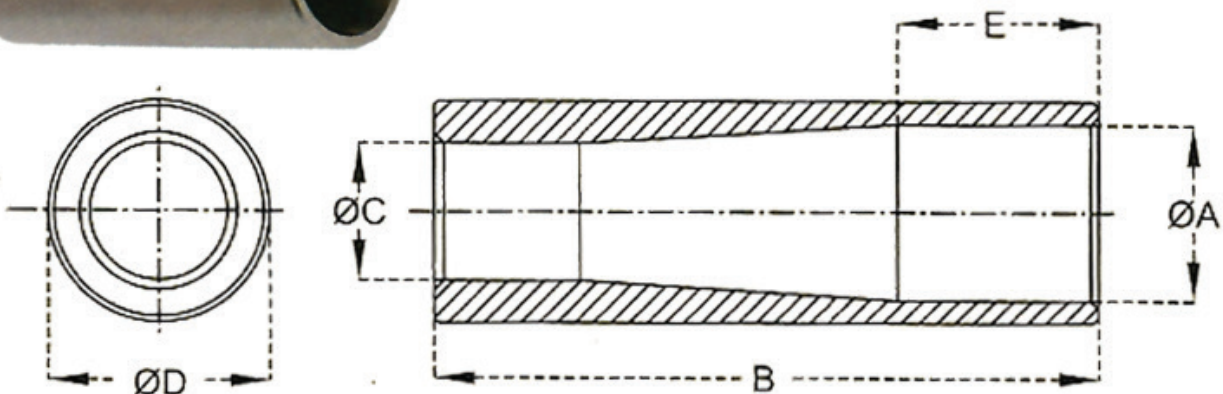
REFERENCE	DIAMETER "A" mm	DIMENSION "B" mm	DIMENSION "C" mm	WEIGHT kg	NOTE
YISPP1301	1.6	20	28	0'004	
YISPP1302	1.6	25	33	0'005	
YISPP1303	2	20	28	0'006	
YISPP1304	2	25	33	0'007	
YISPP1305	2	28	35	0'008	
YISPP1306	2	30	38	0'009	
YISPP1307	2	32	40	0'009	
YISPP1308	2	40	50	0'001	
YISPP1309	2.5	20	28	0'001	
YISPP1310	2.5	40	50	0'001	
YISPP1311	3	50	58	0'003	
YISPP1312	3.2	25	35	0'001	
YISPP1313	3.2	40	50	0'002	
YISPP1314	4	25	35	0'003	
YISPP1315	4	32	4.5	0'003	
YISPP1316	4	36	48	0'004	
YISPP1317	4	40	50	0'004	
YISPP1318	4	60	70	0'006	
YISPP1319	5	40	52	0'006	
YISPP1320	5	50	63	0'008	
YISPP1321	5	70	85	0'011	
YISPP1322	6	60	75	0'014	
YISPP1323	6	70	85	0'016	
YISPP1324	6	80	98	0'018	
YISPP1325	6.3	50	64	0'013	
YISPP1326	6.3	70	85	0'018	
YISPP1327	6.3	80	98	0'020	
YISPP1328	7	60	80	0'019	
YISPP1329	7	70	90	0'022	
YISPP1330	8	63	87	0'026	
YISPP1331	8	80	104	0'033	
YISPP1332	8	100	124	0'041	
YISPP1333	8	125	150	0'051	
YISPP1334	10	63	91	0'042	
YISPP1335	10	125	153	0'080	
YISPP1336	13	140	175	0'151	
YISPP1337	15	125	160	0'180	

BUSHING FOR TYPE 2 LOADING TINES



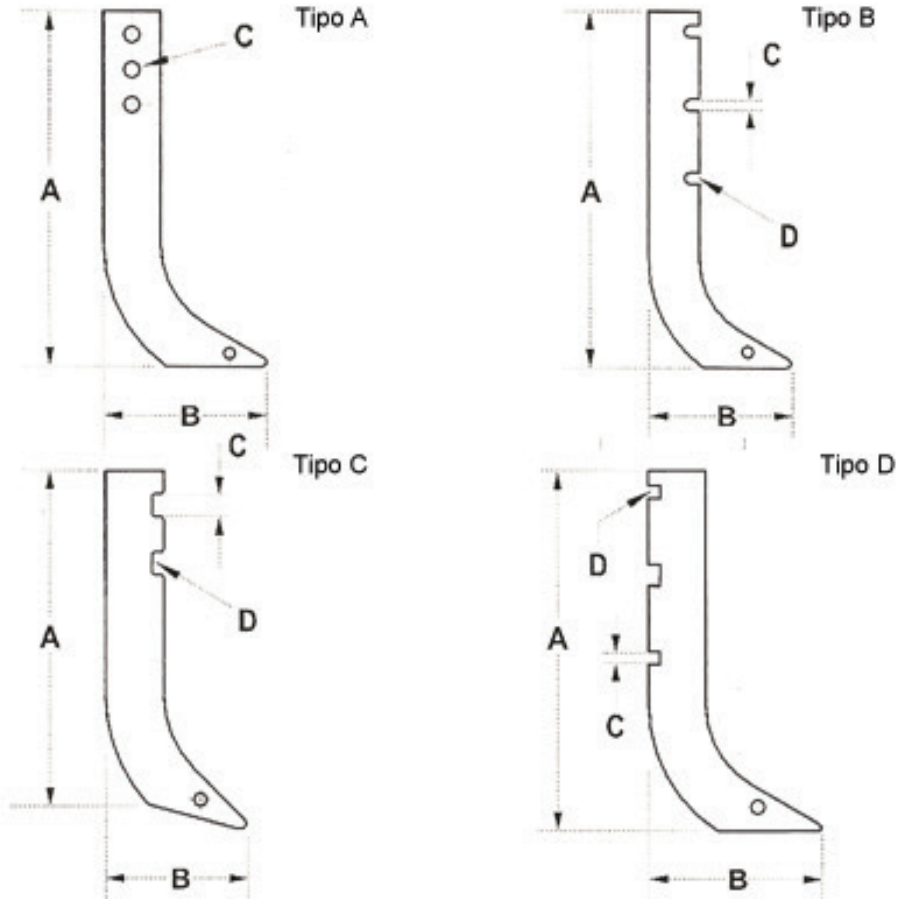
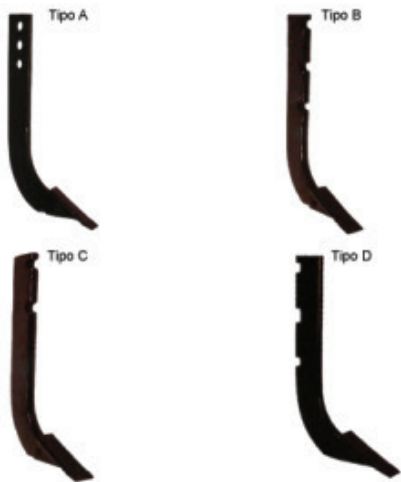
REFERENCE	DIAMETER "A" mm	DIMENSION "B" mm	DIAMETER "C" mm	DIAMETER "D" mm	"E" DIMENSION	WEIGHT kg	NOTE
YITNBLB1404	43.5	165	3.4	55	50	1'325	E

BUSHING FOR TYPE 3 LOADING TINES



REFERENCE	DIAMETER "A" mm	DIMENSION "B" mm	DIAMETER "C" mm	DIAMETER "D" mm	"E" DIMENSION	WEIGHT kg	NOTE
YITNBLB1405	35	115	27	42.4	20	0'675	

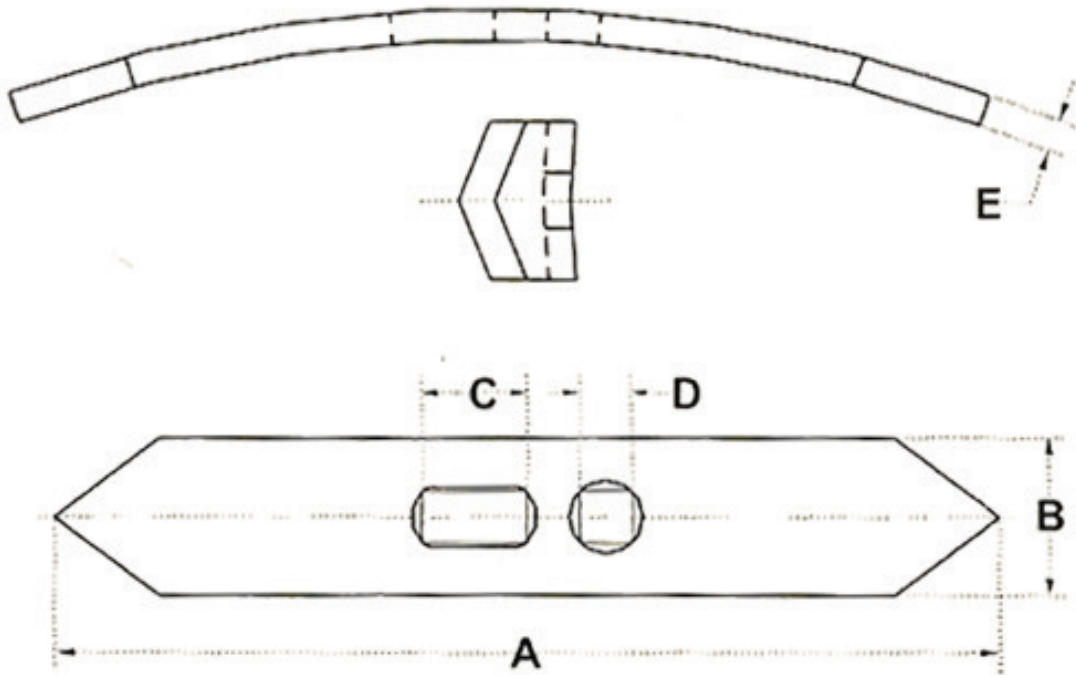
SCARIFIER SHANK WITH TOE



SCARIFIER SHANK WITH TOE

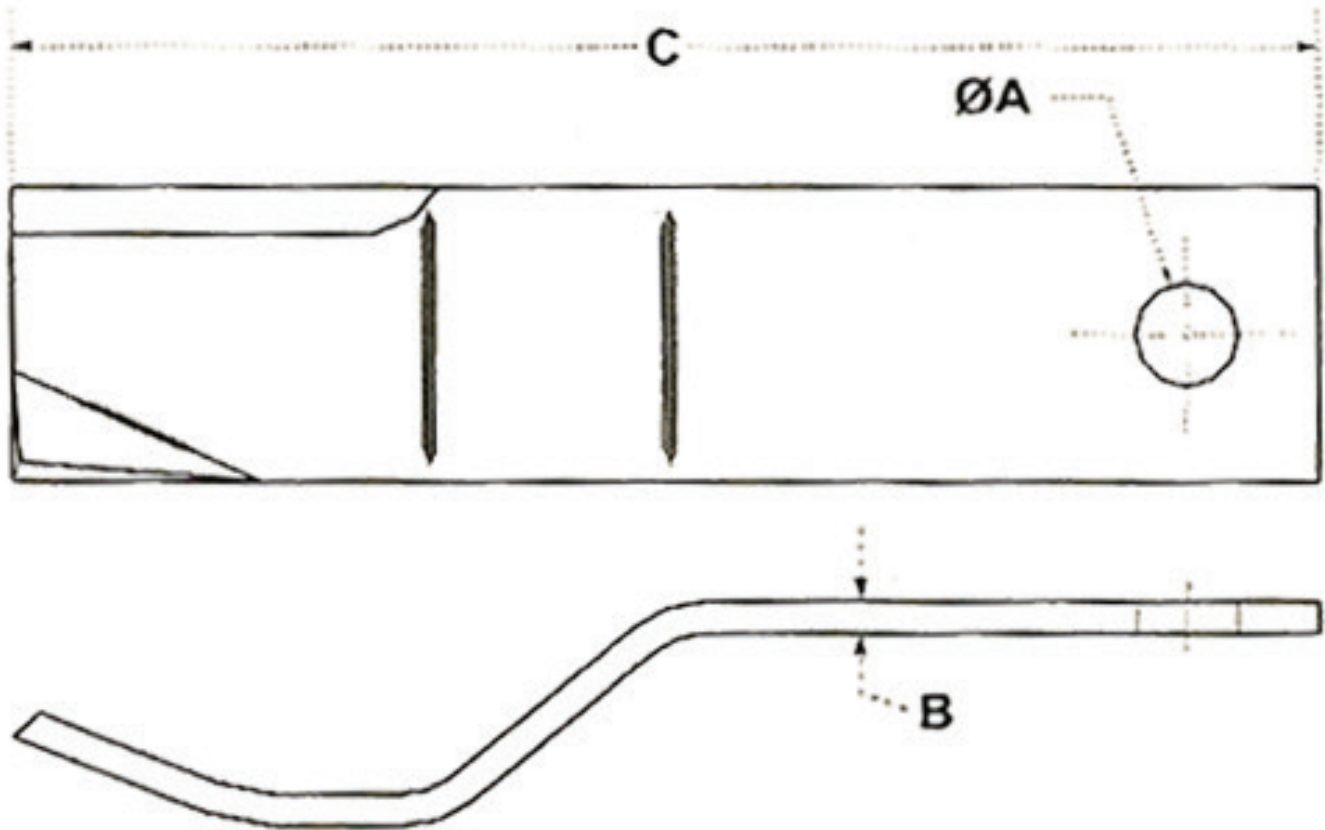
REFERENCIA	TIP O	DIMENSION "A" mm	DIMENSION "B" mm	DIMENSION "C" mm	DIMENSION "D" mm	CUERPO mm	PESO Kgs	NOT A
YISSP1501	A	387	192	17.00		19X63	3'880	
YISSP1502	A	398	194	17.00		19X65	4'000	
YISSP1503	A	400	190	17.50		19X63	4'000	
YISSP1504	A	406	190	18.00		19X63	4'000	
YISSP1505	A	454	178	15.87		19X63	4'700	
YISSP1506	B	445	178	14.50	19.05	19X63	4'600	
YISSP1507	B	445	175	16.00	14.30	19X63	4'600	
YISSP1508	C	394	167	13.50	12.70	19X63	4'050	
YISSP1509	D	400	190	14.30	12.70	19X63	4'125	

CULTIVATOR



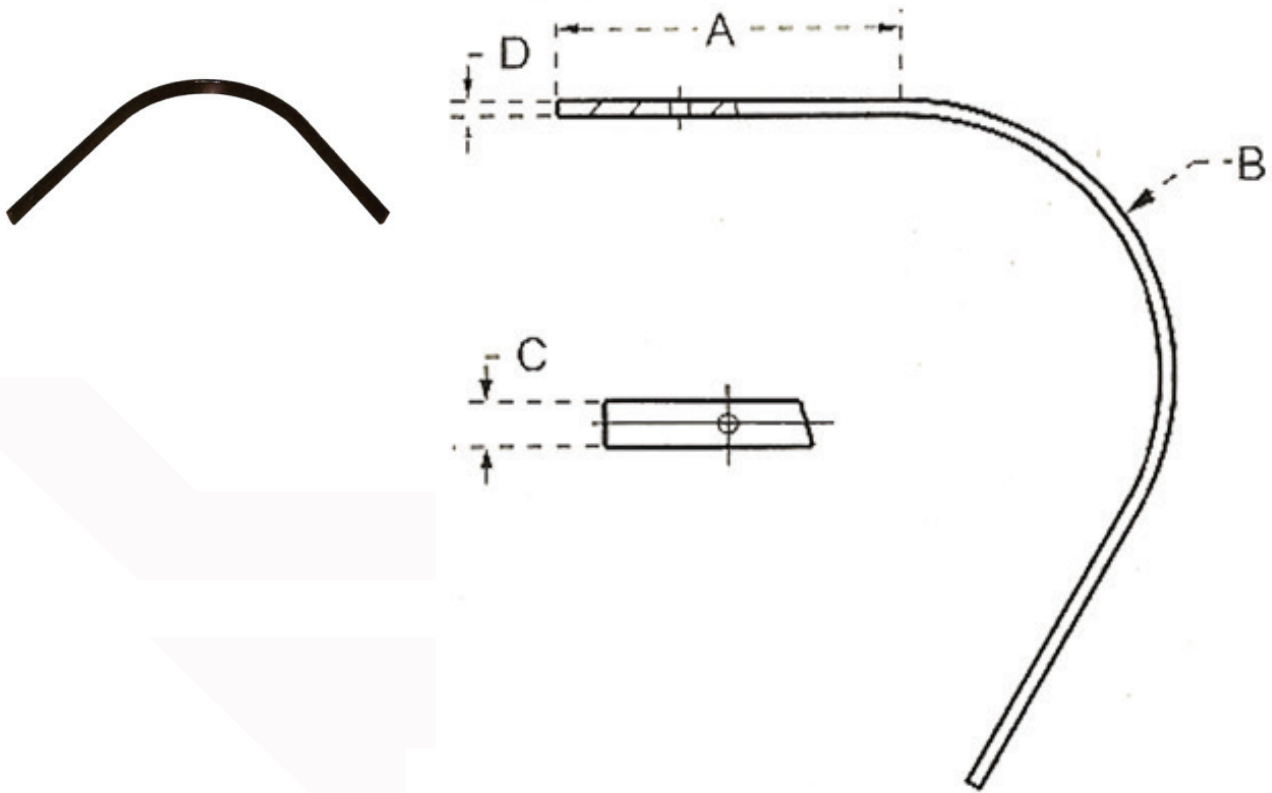
REFERENCE	DIMENSION "A" mm	DIMENSION "B" mm	DIMENSION "C" mm	DIMENSION "D" mm	DIMENSION "E" mm	WEIGHT kg	NOT E
YICP1501	285	50.8	36	14	7	0'630	
YICP1502	269	50.8	36	12	6.3	0'580	
YICP1503	278	50.8	25	14	9.5	0'750	
YICP1504	212	63.5	25	14	9.5	0'780	
YICP1505	190	40		11.5	5	0'300	
YICP1506	285	51	32	10.5	9.5	0'780	
YICP1507	318	51	32	12.7	16	1'850	
YICP1508	312	40	32	12.7	12.7	1'200	
YICP1509	382	51	14	14	16	2'250	
YICP1510	408	51	32	14	16	2'400	
YICP1511	281	51	2:00 p.m.	14	10	0'955	
YICP1512	272	63	25.2x12	25.2x12	8	0'835	

ROTATION BLADE



REFERENCE	DIAMETER "A" mm	DIMENSION "B" mm	DIMENSION "C" mm	GUY	WEIGHT kg	NOTE
YITOPB1501	26	8	320	LH	1'270	
YITOPB1502	26	8	320	RH	1'270	
YITOPB1503	30	8	320	LH	1'270	
YITOPB1504	30	8	320	RH	1'270	
YITOPB1505	38.1	8	320	LH	1'270	
YITOPB1506	38.1	8	320	RH	1'270	

CULTIVATOR SPRING



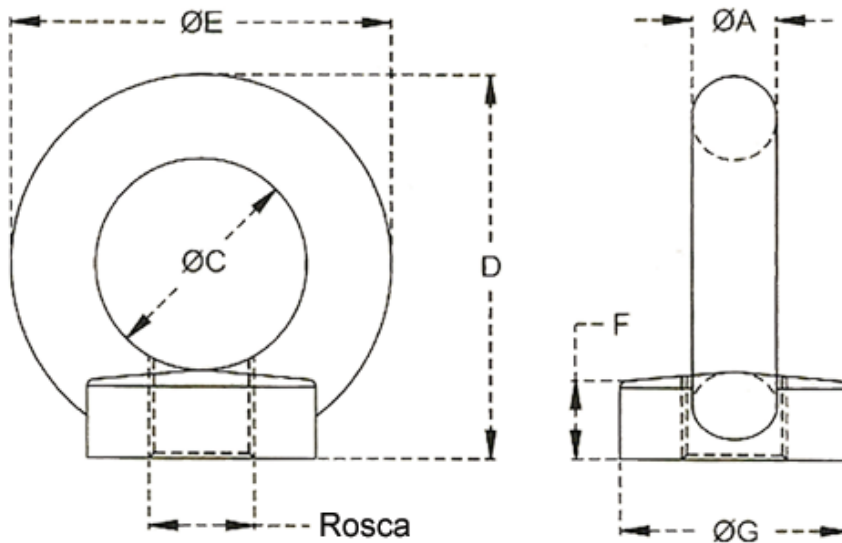
REFERENCE	DIMENSION "A" mm	DIMENSION "B" mm	DIMENSION "C" mm	DIMENSION "D" mm	WEIGHT kg	NOTE
YICT1501	220	R225	44.40	8	1'050	
YICT1502	160	R160	31.64	8	1'000	

CULTIVATOR WITH SPRING



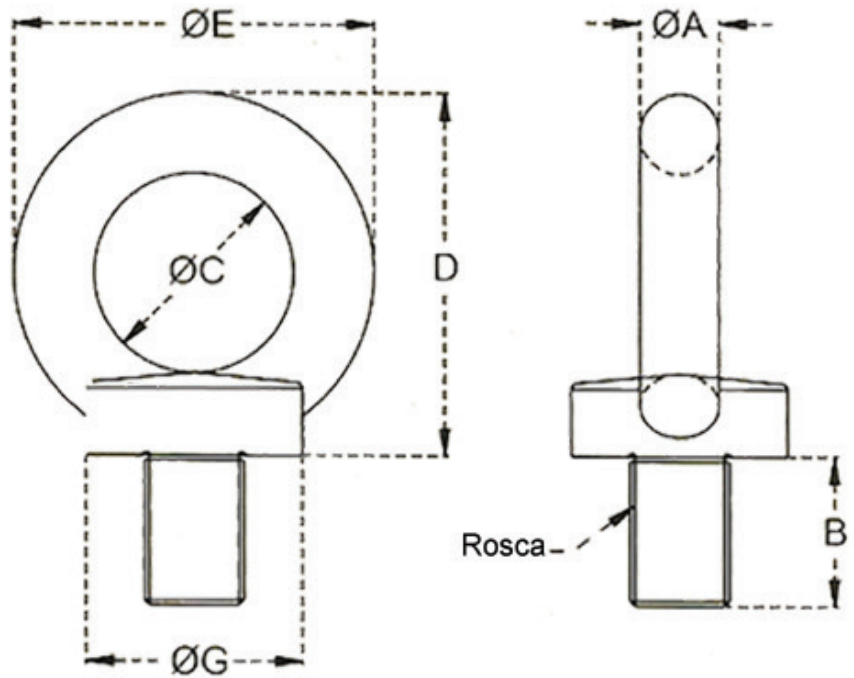
REFERENCE	HOLE DIAMETER mm	LENGTH mm	HOLE DISTANCE mm	GUY	WEIGHT kg	NOTE
YIPS1501	13.5	585	519	SHORT	16'350	
YIPS1502	13.5	775	519	LONG	18'160	

LIFTING RING FEMALE



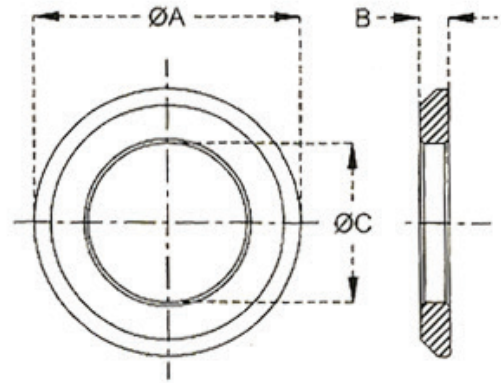
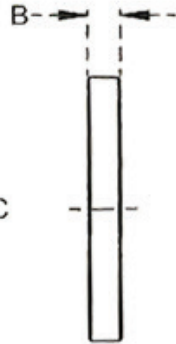
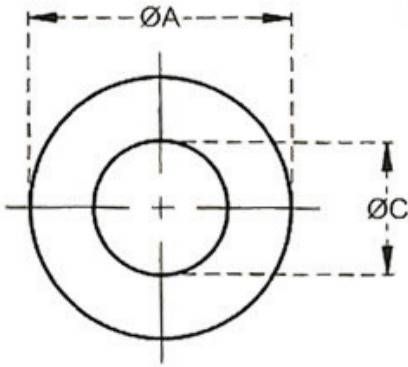
REFERENCE	THREAD mm	DIAMETER "A" mm	DIAMETER "C" mm	DIMENSION "D" mm	DIAMETER "E" mm	DIMENSIO N "F" mm	DIAMETER "G" mm	MAXIMUM LOAD LIMIT Kgs	WEIGHT kg
YILEN1801	M6X1	6	14	27	26	6	14	75	0'017
YILEN1802	M8X1.25	8	20	36	36	8.5	20	140	0'050
YILEN1803	M10X1.5	10	25	4.5	4.5	10	25	230	0'090
YILEN1804	M12X1.75	12	30	53	54	11	30	340	0'160
YILEN1805	M14X2	12	35	53	54	11	30	460	0'155
YILEN1806	M16X2	14	35	62	63	13	35	700	0'240
YILEN1807	M18X2.5	14	40	62	63	13	35	850	0'235
YILEN1808	M20X2.5	16	40	71	72	16	40	1200	0'360
YILEN1809	M22X2.5	16	50	71	72	16	40	1500	0'355
YILEN1810	M24X3	20	50	90	90	20	50	1800	0'720
YILEN1811	M27X3	21	60	100	90	21	55	2700	0'845
YILEN1812	M27X3.5	24	70	109	108	25	65	3600	1'320
YILEN1813	M30X3.5	28	70	128	126	30	75	5100	2'080
YILEN1814	M36X4	28	80	128	126	30	75	5100	2'080
YILEN1815	M36FX3	32	80	147	144	35	85	7000	3'110
YILEN1816	M42X4.5	32	90	147	144	35	85	7000	3'110
YILEN1817	M48X5	38	90	168	166	40	100	8600	5'020

LIFTING RING MALE



REFERENCE	THREAD mm	DIAMETER "A" mm	DIMENSION "B" mm	DIAMETER "C" mm	DIMENSION "D" mm	DIAMETER "E" mm	DIAMETER "G" mm	MAXIMUM LOAD LIMIT Kgs	WEIGHT kg
YILEB1801	M6X1	6	11	14	27	26	14	75	0'020
YILEB1802	M8X1.25	8	13	20	36	36	20	140	0'060
YILEB1803	M10X1.5	10	17	25	4.5	4.5	25	230	0'110
YILEB1804	M12X1.75	12	20.5	30	53	54	30	340	0'180
YILEB1805	M14X2	12	20.5	30	53	54	30	460	0'190
YILEB1806	M16X2	14	27	35	62	63	35	700	0'280
YILEB1807	M18X2.5	14	27	35	62	63	35	850	0'290
YILEB1808	M20X2.5	16	30	40	71	72	40	1200	0'450
YILEB1809	M22X2.5	16	30	40	71	72	40	1500	0'465
YILEB1810	M24X3	20	36	50	90	90	50	1800	0'740
YILEB1811	M27X3	21	41	55	100	96	55	2700	1'015
YILEB1812	M30X3.5	24	4.5	60	109	108	65	3600	1'660
YILEB1813	M33X3.5	28	54	70	128	126	75	4300	2'625
YILEB1814	M33FX2	28	54	70	128	126	75	4300	2'625
YILEB1815	M36X4	28	54	70	128	126	75	5100	2'650
YILEB1816	M36FX3	28	54	70	128	126	75	5100	2'650
YILEB1817	M42X4.5	32	63	80	147	144	85	7000	4'030
YILEB1818	M42FX3	32	63	80	147	144	85	7000	4'030
YIYEB1819	M48X5	38	68	90	168	166	100	8600	6'380
YILEB1820	M48FX3	38	68	90	168	166	100	8600	6'380
YILEB1821	M56X5.5	42	78	100	187	184	110	11500	8'800
YILEB1822	M56FX4	42	78	100	187	184	110	11500	8'800
YILEB1823	M64X6	48	90	110	208	206	120	16000	12'400
YILEB1824	M64FX4	48	90	110	208	206	120	16000	12'400

SEPARATOR



REFERENCE	DIAMETER "A" mm	DIMENSION "B" mm	DIAMETER "C" mm	WEIGHT kg	NOTE
YISPC1901	40	12.70	24	0'080	
YISPC1902	40	25.40	24	0'160	
YISPC1903	42	12.70	26	0'085	
YISPC1904	42	25.40	26	0'170	
YISPC1905	42	38.10	26	0'255	
YISPC1906	45	12.70	29	0'095	
YISPC1907	45	25.40	29	0'190	
YISPC1908	48	12.70	33	0'095	
YISPC1909	48	25.40	33	0'190	
YISPC1921	56	7	28	0'100	
YISPC1922	64	7	28	0'145	
YISPC1923	64	7	38	0'115	

STEERING WHEEL



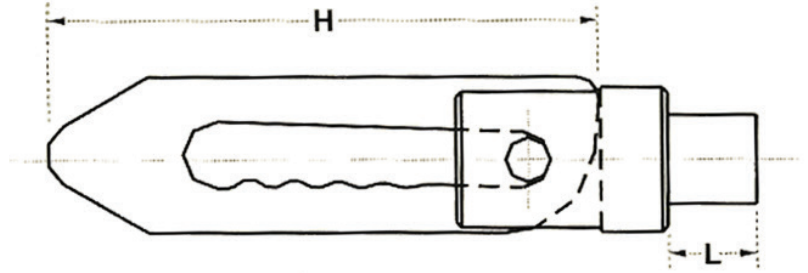
Tipo A



Tipo B

REFERENCE	GUY	WEIGHT kg	NOTE
YISWSP2001	TO	0'210	
YISWSP2002	B.	0'210	
YISWSP2003	B.	0'210	

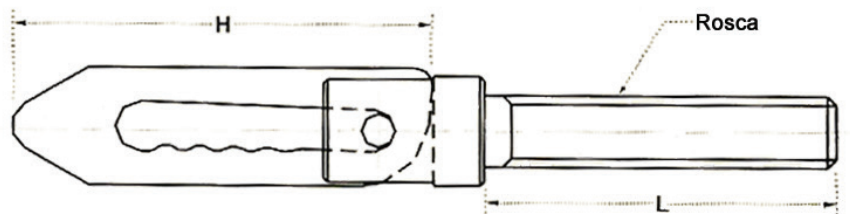
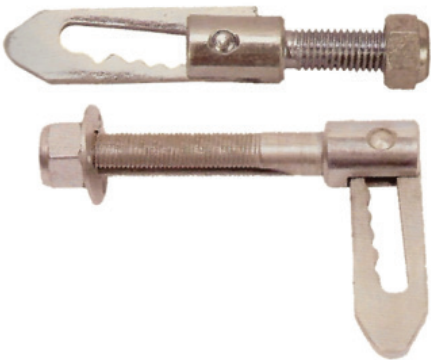
DROP CLOSURE



FALL CLOSE

REFERENCE	DIMENSION "L" mm	DIMENSION "H" mm	WEIGHT kg	NOTE
YIDRC2101	13	70	0'055	

DROP CLOSURE WITH SHORT SCREW



REFERENCE	DIMENSION "L" mm	DIMENSION "H" mm	THREAD	GUY	WEIGHT kg	NOTE
YIDRC2111	35	70	1/2" UNF	TO	0'090	
YIDRC2112	76	70	1/2" UNF	B.	0'150	
YIDRC2121	38	50	M8X1.25	TO	0'120	
YIDRC2123	20	50	M8X1.25	TO	0'120	

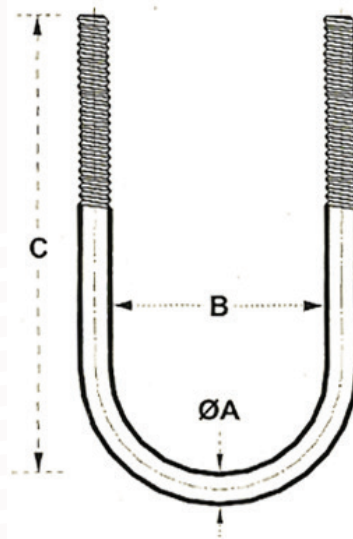
CLAMPS



REFERENCE	BSS CODE	MINIMUM ADJUSTMENT mm	MAXIMUM ADJUSTMENT mm	WEIGHT kg	NOTE
YIHCL2201	000	9	13	0'013	
YIHCL2202	M00	13	16	0'013	
YIHCL2203	0	14	19	0'013	
YIHCL2204	0	16	22	0'018	

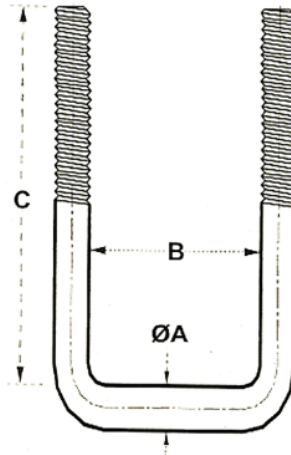
YIHCL2205	0X	19	25	0'018
YIHCL2206	1A	22	29	0'020
YIHCL2207	1	25	35	0'020
YIHCL2208	1X	29	41	0'030
YIHCL2209	2A	32	47	0'032
YIHCL2210	2	38	54	0'035
YIHCL2211	2X	44	60	0'045
YIHCL2212	3	54	70	0'045
YIHCL2213	3X	60	80	0'045
YIHCL2214	4	70	90	0'060
YIHCL2215	4X	80	95	0'080
YIHCL2216	5	120	190	0'100

U - BOLT



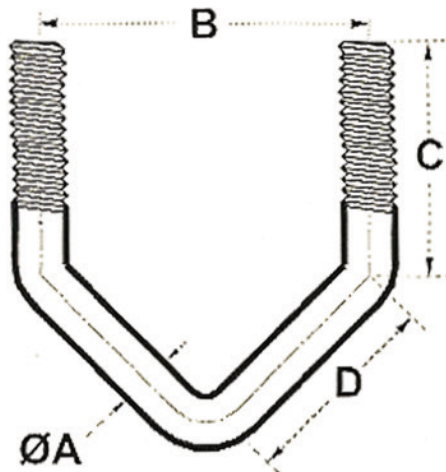
REFERENCE	DIAMETER "A" inches	DIMENSION "B" inches	DIMENSION "C" inches	WEIGHT kg	NOTE
YIUBLT2301	7/16"	2"	6"	0'294	
YIUBLT2302	7/16"	2-7/8"	7-3/4"	0'379	
YIUBLT2303	7/16"	3"	7-1/2"	0'367	
YIUBLT2304	1/2"	2-1/2"	8-1/4"	0'256	
YIUBLT2305	1/2"	2-7/8"	7"	0'477	
YIUBLT2306	1/2"	3"	8"	0'511	
YIUBLT2307	9/16"	3"	8-1/4"	0'666	
YIUBLT2308	9/16"	3-1/4"	5"	0'406	
YIUBLT2309	9/16"	3-3/8"	12"	0'966	
YIUBLT2310	5/8"	3"	8-1/2"	0'847	
YIUBLT2311	5/8"	3-1/4"	8-1/4"	0'822	
YIUBLT2312	5/8"	3-1/4"	12"	1'193	

U - BOLT [SQUARE SHAPE]



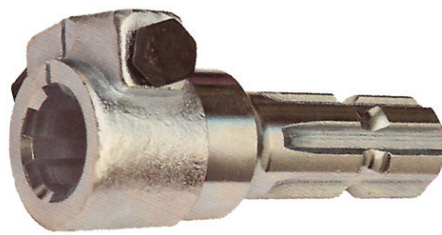
REFERENCE	DIAMETER "A" inches	DIMENSION "B" inches	DIMENSION "C" inches	WEIGHT kg	NOTE
UBLT2321	3/8"	2-1/2"	2-1/2"	0'092	
UBLT2322	3/8"	7"	7"	0'252	
UBLT2323	1/2"	3"	4"	0'258	
UBLT2324	5/8"	4"	4"	0'403	
UBLT2325	5/8"	4"	5-1/2"	0'551	
UBLT2326	5/8"	4"	7-1/2"	0'748	
UBLT2327	5/8"	5"	8-1/2"	0'847	
UBLT2328	5/8"	6"	8"	0'798	
UBLT2329	5/8"	7"	5"	0'501	
UBLT2330	5/8"	7"	7"	0'699	
UBLT2331	5/8"	7"	8-1/2"	0'847	
UBLT2332	3/4"	5"	7"	1'006	
UBLT2333	3/4"	7"	8-1/2"	1'220	
UBLT2334	3/4"	7"	7"	1'006	

U - BOLT [V SHAPE]



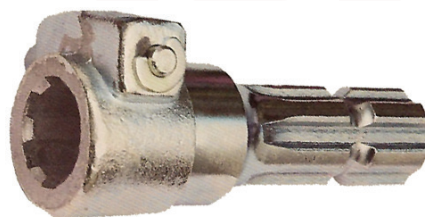
REFERENCE	DIAMETER "A" mm	DIMENSION "B" mm	DIMENSION "C" mm	DIMENSION "D" mm	WEIGHT kg	NOT E
UBLT2351	11	70	37	42	0'190	
UBLT2352	12.8	82	39	49	0'180	
UBLT2354	11	90	30	56	0'135	
UBLT2355	15	96	52	60.5	0'320	

PTO ADAPTERS [WITH SCREW]



REFERENCE	INCH MALE CONNECTION	INCH FEMALE CONNECTION	OVERALL DIMENSION mm	WEIGHT kg	NOT E
YIPTA2501	1-3/8"x6	1-3/8"x6	150	1'320	
YIPTA2502	1-3/8"x6	1-3/8"x6	165	1'620	
YIPTA2503	1-3/8"x6	1-3/8"x21	150	1'320	
YIPTA2504	1-3/8"x6	1-3/4"x20	150	1'620	
YIPTA2505	1-3/4"x6	1-3/8"x6	160	1'570	

PTO ADAPTERS [PUSH BUTTON]



REFERENCE	INCH MALE CONNECTION	INCH FEMALE CONNECTION	OVERALL DIMENSION mm	WEIGHT kg	NOT E
YIPTA2511	1-3/8"x6	1-3/8"x6	150	1'300	
YIPTA2512	1-3/8"x6	1-3/4"x20	165	1'450	
YIPTA2513	1-3/8"x6	1-3/8"x21	150	1'225	
YIPTA2514	1-3/8"x21	1-3/8"x6	150	1'225	
YIPTA2515	1-3/4"x6	1-3/8"x6	160	1'450	
YIPTA2516	1-3/4"x6	1-3/4"x20	165	1'500	
YIPTA2517	1-3/4"x6	1-3/8"x21	160	1'450	

PTO ADAPTERS



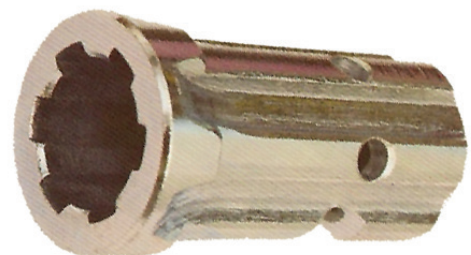
REFERENCE	INCH MALE CONNECTION	INCH FEMALE CONNECTION	OVERALL DIMENSION mm	WEIGHT kg	NOTE
YIPTA2521	1-3/8"x6	1-3/8"x6	150	1'075	
YIPTA2522	1-3/8"x6	16 UNI 221 16x20x4mmx6	120	0'800	
YIPTA2523	1-3/8"x6	21 UNI 221 21x25x5mmx6	140	0'950	
YIPTA2524	1-3/8"x6	26 UNI 220 26x30x4mmx6	140	0'900	

PTO ADAPTER WITH KEY



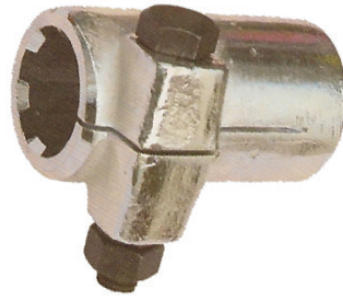
REFERENCE	INCH MALE CONNECTION	FEMALE CONNECTION mm	OVERALL DIMENSION mm	WEIGHT kg	NOTE
YIPTA2531	1-3/8"x6	20 WITHOUT KEY	120	0'800	
YIPTA2532	1-3/8"x6	25 WITHOUT KEY	120	0'750	
YIPTA2533	1-3/8"x6	30 WITHOUT KEY	120	0'770	
YIPTA2534	1-3/8"x6	20 WITH KEY 6x2.8	145	0'970	
YIPTA2535	1-3/8"x6	25 WITH KEY 8x3.3	145	0'920	
YIPTA2536	1-3/8"x6	30 WITH KEY 8x3.3	145	0'880	

PTO REDUCER



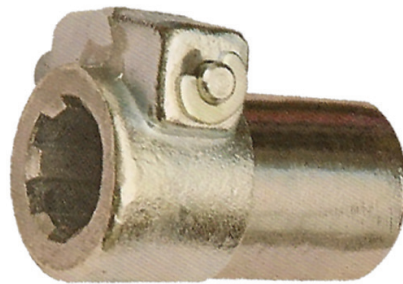
REFERENCE	INCH MALE CONNECTION	INCH FEMALE CONNECTION	OVERALL DIMENSION mm	WEIGHT kg	NOTE
YIPTB2501	1-3/8"x6	1-1/8"x6	76	0'230	
YIPTB2502	1-3/8"x6	1-1/8"x6	47.5	0'145	

PTO REDUCER WITH TURK



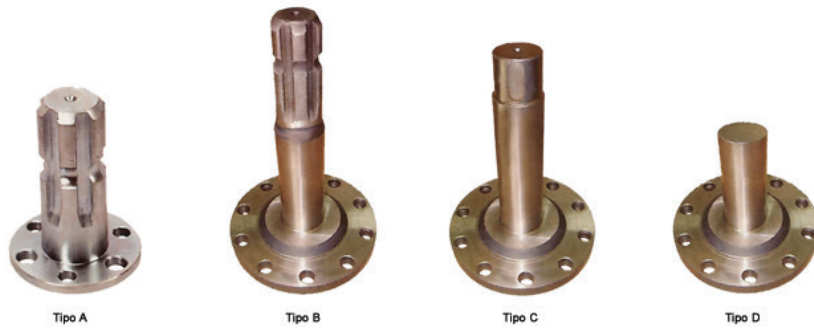
REFERENCE	INCH FEMALE CONNECTION	OVERALL DIMENSION mm	WEIGHT kg	NOTE
YIPTC2501	1-3/8"x6	80	0'905	
YIPTC2502	1-3/8"x21	80	0'955	
YIPTC2503	1-3/4"x6	100	1'200	
YIPTC2504	1-3/8"x6	130	1'500	

PTO REDUCER WITH PUSH BUTTON



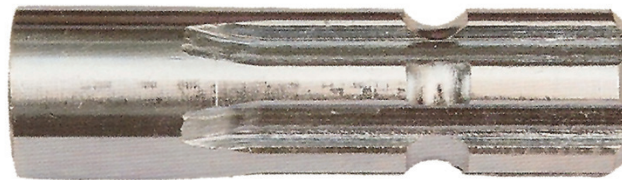
REFERENCE	INCH FEMALE CONNECTION	OVERALL DIMENSION mm	WEIGHT kg	NOTE
YIPTC2511	1-3/8"x6	80	0'905	
YIPTC2512	1-3/8"x21	80	0'955	
YIPTC2513	1-3/4"x6	100	1'200	
YIPTC2514	1-3/4"x20	100	1'200	
YIPTC2515	1-3/8"x6	130	1'500	

SPLINED SHAFT WITH FLANGE



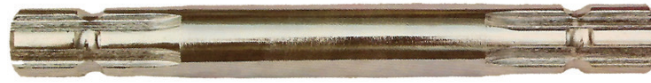
REFERENCE	INCH MALE CONNECTION	SUPPORT PLATE DIAMETER mm	OVERALL DIMENSION mm	GUY WEIGHT kg	NOTE
YIPTSFL2501	1-3/8" x 6	70	90	TO	0'770
YIPTSFL2502	1-3/4" x 6	180	270	B.	6'740
YIPTSFL2503	WITH KEY	180	297	C.	7'610
YIPTSFL2504	CYLINDRICAL	180	120	D.	4'960

SPLINED SHAFT Z6



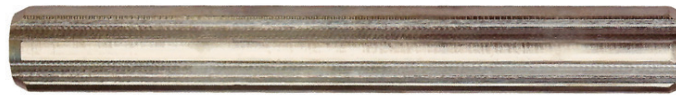
REFERENCE	INCH MALE CONNECTION	OVERALL DIMENSION mm	SPLINE DIMENSION mm	WEIGHT kg	NOTE
YIPTSS2501	1-3/8" x 6	100	75.0	0'610	
YIPTSS2502	1-3/8" x 6	120	62.5	0'735	
YIPTSS2503	1-3/8" x 6	120	75.0	0'735	
YIPTSS2504	1-3/8" x 6	150	75.0	0'910	
YIPTSS2505	1-3/8" x 6	200	75.0	1'220	
YIPTSS2506	1-3/8" x 6	250	65.0	1'525	
YIPTSS2507	1-3/8" x 6	300	64.0	1'830	
YIPTSS2508	1-3/8" x 6	300	68.5	1'830	
YIPTSS2509	1-3/8" x 6	300	75.0	1'830	
YIPTSS2510	1-3/8" x 6	300	49.0	1'830	
YIPTSS2511	1-3/8" x 6	350	75.0	2'135	

DOUBLE SPLINED SHAFT Z6



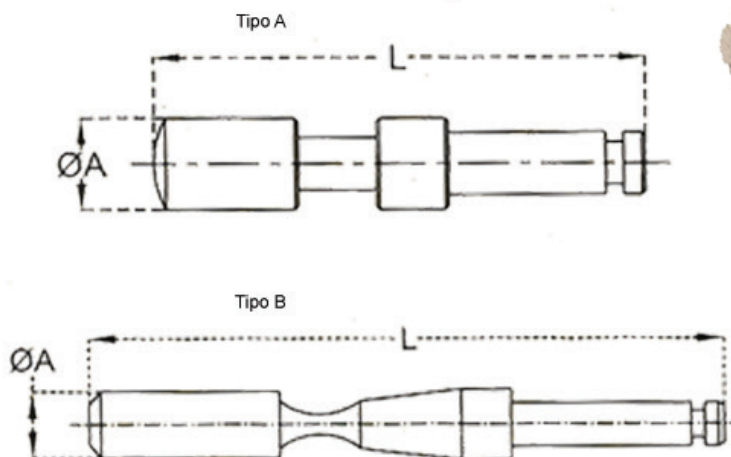
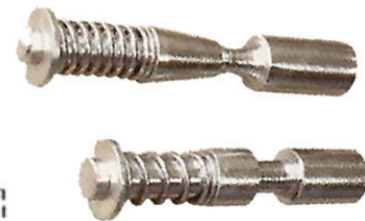
REFERENCE	INCH MALE CONNECTION	OVERALL DIMENSION mm	SPLINE DIMENSION mm	WEIGHT kg	NOTE
YIPTSD2501	1-3/8" x 6	150	62.5 - 62.5	0'880	
YIPTSD2502	1-3/8" x 6	230	65.0 - 65.0	1'430	
YIPTSD2503	1-3/8" x 6	230	75.0 - 75.0	1'440	
YIPTSD2504	1-3/8" x 6	300	65.0 - 65.0	1'900	
YIPTSD2505	1-3/8" x 6	300	68.5 - 68.5	1'980	
YIPTSD2506	1-3/8" x 6	300	75.0 - 75.0	2'000	

COMPLETE PTO SPLINED SHAFT Z6



REFERENCE	INCH MALE CONNECTION	OVERALL DIMENSION mm	SPLINE DIMENSION mm	WEIGHT kg	NOTE
YIPTSF2501	1-1/8" x 6	254	254	1'050	
YIPTSF2502	1-3/8" x 6	254	254	1'550	
YIPTSF2503	1-3/8" x 21	254	254	2'700	
YIPTSF2504	1-3/8" x 21	254	254	2'700	
YIPTSF2505	1-3/8" x 6	775	775	4'750	
YIPTSF2506	1-3/8" x 6	1000	1000	6'100	

QUICK COUPLING PIN



TOWING HOOK

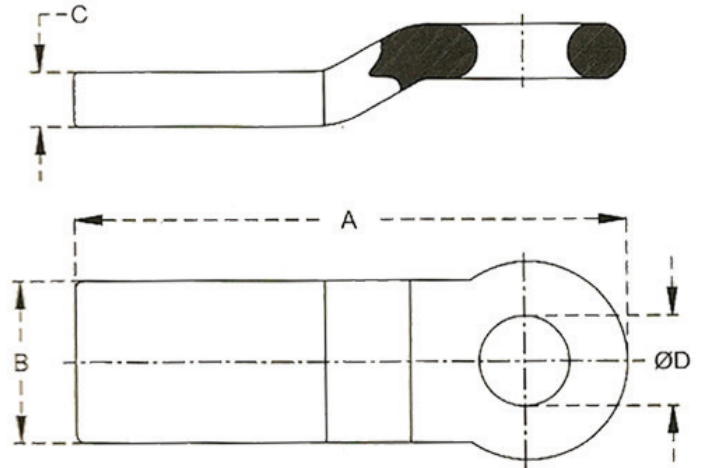
REFERENCE	DIAMETER "A" mm	OVERALL DIMENSION "L" mm	GUY	WEIGHT kg	NOTE
YIPTYP2501	14	75	TO	0'060	
YIPTYP2502	16	95	TO	0'080	
YIPTYP2503	14	86	B.	0'070	

TURNING RING



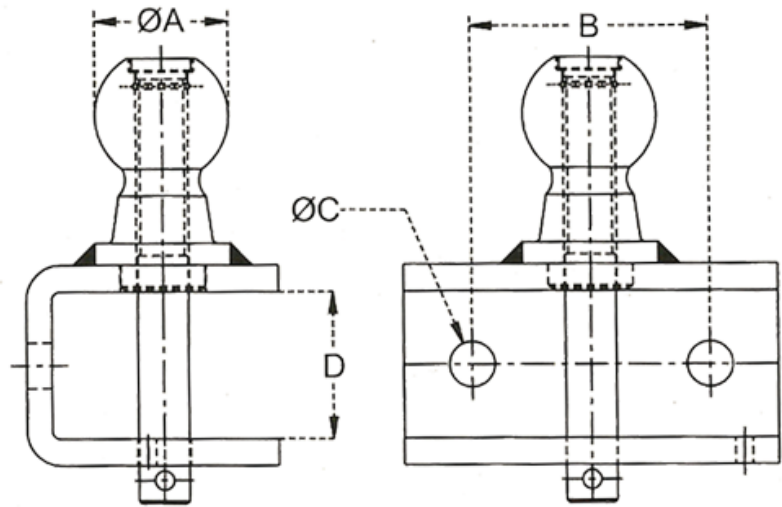
REFERENCE	DIAMETER A mm	DIA B mm	THREA D C mm	DIMENSI ON D mm	DIMENSI ON E mm	DIMENSI ON F mm	DIAMET ER G mm	DIAMET ER H mm	DIAMET ER I mm	MAX. DRAG LIMIT Kgs	MAX. HEIGHT LIMIT Kgs	WEIGHT kg
YITOE2601	84	29	M24	30	109	100	42	30	35	1500	300	2'050

WELDED HITCH EYE



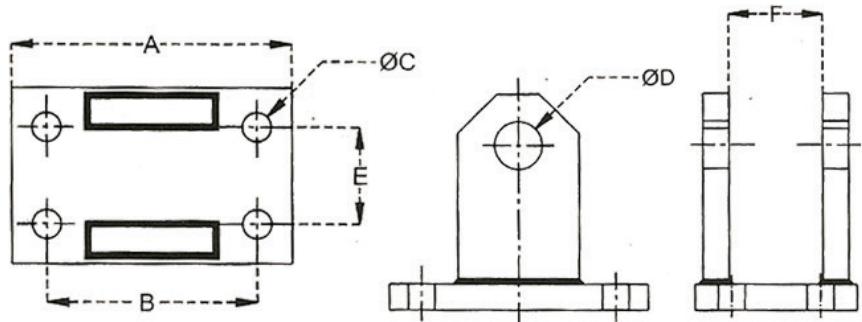
REFERENCE	DIMENSION A mm	DIMENSION B mm	DIMENSION C mm	DIAMETER D mm	GUY	WEIGHT kg	NOTE
YITOE2611	305	90	29	50	ELEVATED	6'260	
YITOE2612	305	90	29	50	STRAIGHT	6'260	
YITOE2613	305	90	38	50	STRAIGHT	8'200	

PULL HOOK WITH BALL AND CHAIN



REFERENCE	DIAMETER A mm	DIMENSION B mm	DIAMETER C mm	DIMENSION D mm	WEIGHT kg	NOTE
YITHB2611	50	89	16.5	55	3'000	
YITHB2612	50	89	16	44.5	2'900	

FIXED PULL HOOK



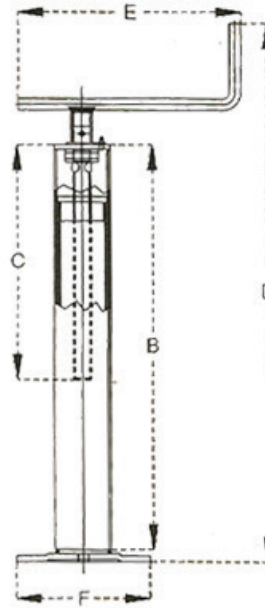
REFERENCE	DIAMETER A mm	DIMENSION B mm	DIAMETER C mm	DIAMETER D mm	DIMENSION E mm	DIMENSION F mm	WEIGHT kg	NOTE E
YITHB2631	160	120	16.5	29.5	55	58	4'200	

COMBINE FINGERS



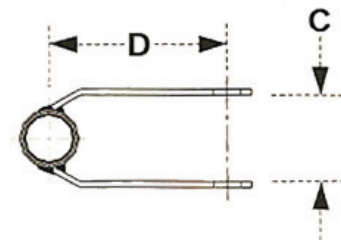
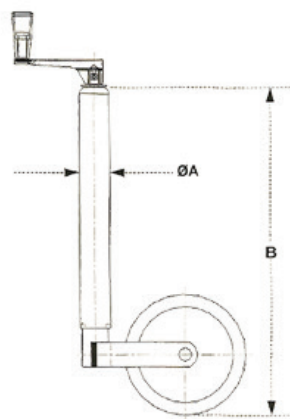
REFERENCE	NOTES	APPLICATION	SPARE PART NO.	PLATE	SPARE PART NO.
01444	Double Semifit	BCS	590.27624.5	Art. 01524 246 SF	580.02477.1
		SEP	205097		206776
		BERTOLINI	58.2688		040353
		BEDOJNI	4216-A (754SF)		755SF (2477)

TELESCOPIC PARKING JACKS



REFERENCE	TUBE mm	DIMENSIO N B mm	DIMENSIO N C mm	DIMENSIO N D mm	DIMENSIO N Emm	DIMENSIO N F mm	MAX. LOAD LIMIT Kgs	WEIGH T kg	NOT E
YIJKP2601	40x40	385	210	532	192	95	200	5'500	
YIJKP2602	70x70	495	300	610	213	160	1000	7'800	

SUPPORT FOOT WITH WHEEL



REFERENCE	DIAMETER A mm	DIMENSION B mm	DIMENSION C mm	DIMENSION D mm	MAX. LOAD LIMIT Kgs	WEIGHT kg	NOT E
YIJKW2601	48	550	64.00	127	300	8'710	
YIJKW2602	48	550	66.85	135	300	10'300	

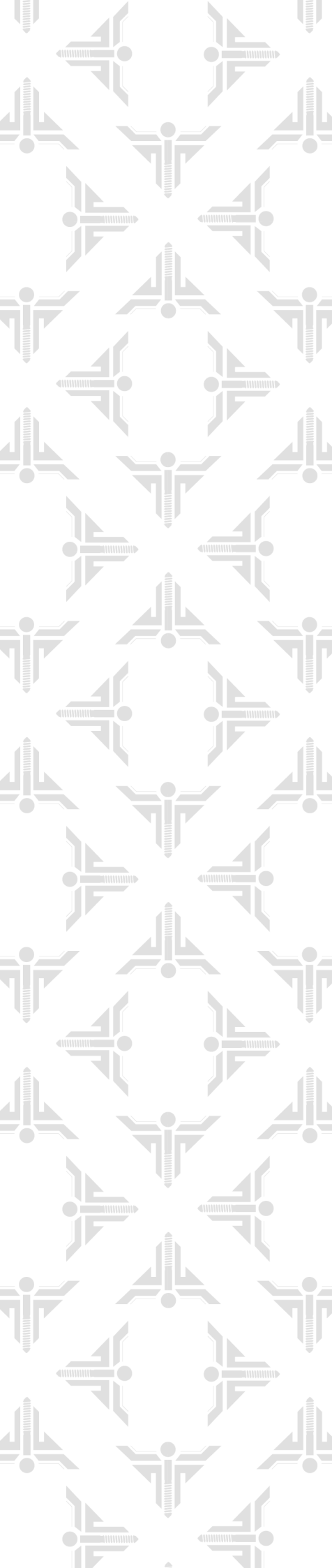


STRENGTH

in every link

RELIABILITY

in every fastener



YUVRAJ IMPEX

Plot No. E-508, E-518, E- 520, Phase-6, Focal Point
Near Sham Dharam Kanda, Ludhiana - 141008 { INDIA }

Mobile No : 98143-30372 , 98555-00372

Website : www.yuvrajimpex.com

Email : marketing@yuvrajimpex.com